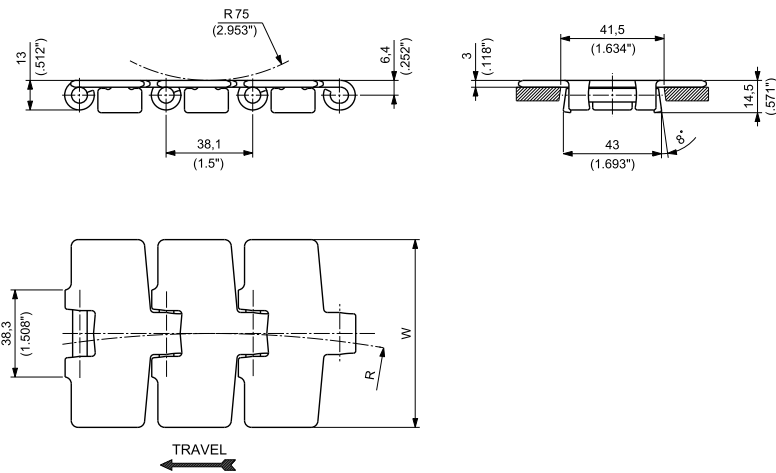


**BEVEL**  
**PITCH 1 1/2" (38,1 mm)**  
**THICKNESS 3 mm (0.118")**  
**HINGE 43 mm (1.693")**



Materials  
see page 12



Sprockets  
see pages 135+138



Corner tracks  
see page 339



Applications  
see page 22

| MATERIALS                        |                            | ITEM DESCRIPTION | PART NUMBER | WIDTH W |      | SURFACE FINISH Ra | POLISHED HINGES | SIDEFLEXING RADIUS |        | YIELD LOAD AVERAGE |       | WEIGHT |        |
|----------------------------------|----------------------------|------------------|-------------|---------|------|-------------------|-----------------|--------------------|--------|--------------------|-------|--------|--------|
| Plate                            | Pin                        |                  |             | mm      | inch |                   |                 | mm                 | R inch | N                  | lbs   | kg/m   | lbs/ft |
| CARBON STEEL<br>S                | CASE-HARDENED STEEL        | S881 K 3 1/4     | S881KD/000  | 82,6    | 3.25 | -                 | NO              | 457,2              | 18     | 11600              | 2,608 | 2,74   | 1.84   |
|                                  |                            | S881 K 4 1/2     | S881KG/000  | 114,3   | 4.50 | -                 | NO              | 609,6              | 24     | 11600              | 2,608 | 3,37   | 2.27   |
|                                  |                            | S881 K 7 1/2     | S881KL/000  | 190,5   | 7.50 | -                 | NO              | 609,6              | 24     | 11600              | 2,608 | 3,78   | 2.54   |
| AUSTENITIC STAINLESS STEEL<br>SS | AUSTENITIC STAINLESS STEEL | SS881 K 3 1/4    | SS881KD/000 | 82,6    | 3.25 | 0,3               | NO              | 457,2              | 18     | 5600               | 1,259 | 2,76   | 1.85   |
|                                  |                            | SS881 K 4 1/2    | SS881KG/000 | 114,3   | 4.50 | 0,3               | NO              | 609,6              | 24     | 5600               | 1,259 | 3,40   | 2.29   |
|                                  |                            | SS881 K 7 1/2    | SS881KL/000 | 190,5   | 7.50 | 0,3               | NO              | 609,6              | 24     | 5600               | 1,259 | 4,82   | 3.24   |