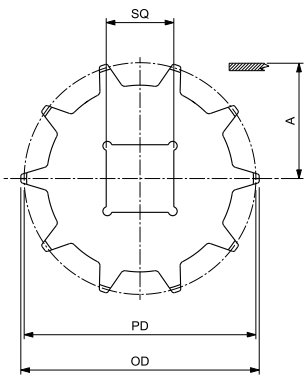


SUITABLE FOR CHAINS:

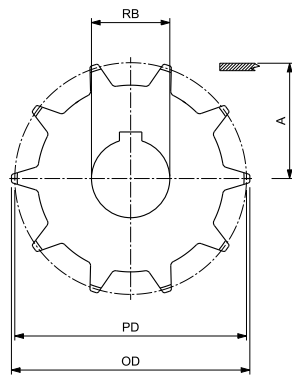
• 2556

MATERIALS

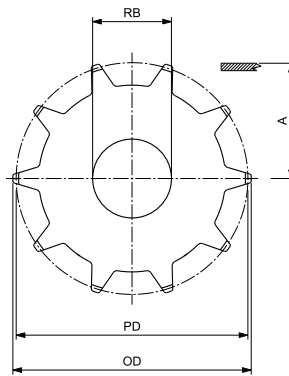
SPROCKETS: **PA** POLYAMIDE



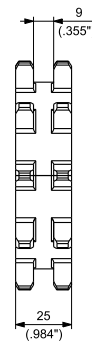
SQUAREBORE-DRIVE/IDLER



ROUND BORE-DRIVE



ROUND BORE-IDLER



MACHINED DOUBLE ROW SOLID DRIVE AND IDLER SPROCKETS

N. TEETH	PITCH DIAMETER PD		OUTSIDE DIAMETER OD		WEARSTRIP POSITIONING A		BORESIZE**		PART NUMBER			WEIGHT	
	mm	inch	mm	inch	mm	inch	mm	inch***	SQUARE BORE SQ	ROUND BORE RB		Kg	lbs
									DRIVE	IDLER			
8*	82,97	3.267	86,50	3.406	35,14	1.383	30		MPBAT255508D30	MPBAF255508D30	0,08	0.17	
							35		MPBAT255508D35	MPBAF255508D35	0,07	0.16	
							1		MPBAT255508D254	MPBAF255508D254	0,08	0.19	
							1½		MPBAT255508D317	MPBAF255508D317	0,08	0.17	
10	102,75	4.045	106,50	4.193	45,03	1.773	30		MPBAT255510D30	MPBAF255510D30	0,15	0.32	
							35		MPBAT255510D35	MPBAF255510D35	0,14	0.31	
							40	MPBAQ255510D40	MPBAT255510D40	MPBAF255510D40	0,13	0.29	
							1		MPBAT255510D254	MPBAF255510D254	0,16	0.34	
							1½		MPBAT255510D317	MPBAF255510D317	0,15	0.32	
							1½	MPBAQ255510D381	MPBAT255510D381	MPBAF255510D381	0,14	0.30	

*For some shaft dimensions, shaft needs to be properly machined down to avoid interference with the belt tabs. Please contact REGINA Application Engineering for more details.

**In case of round bore, diameter is indicated. In case of square bore, side of the square is indicated.

***Imperial round bore drive sprockets are supplied with setscrew. Metric round bore drive sprockets are supplied without setscrew.

SUITABLE FOR CHAINS:

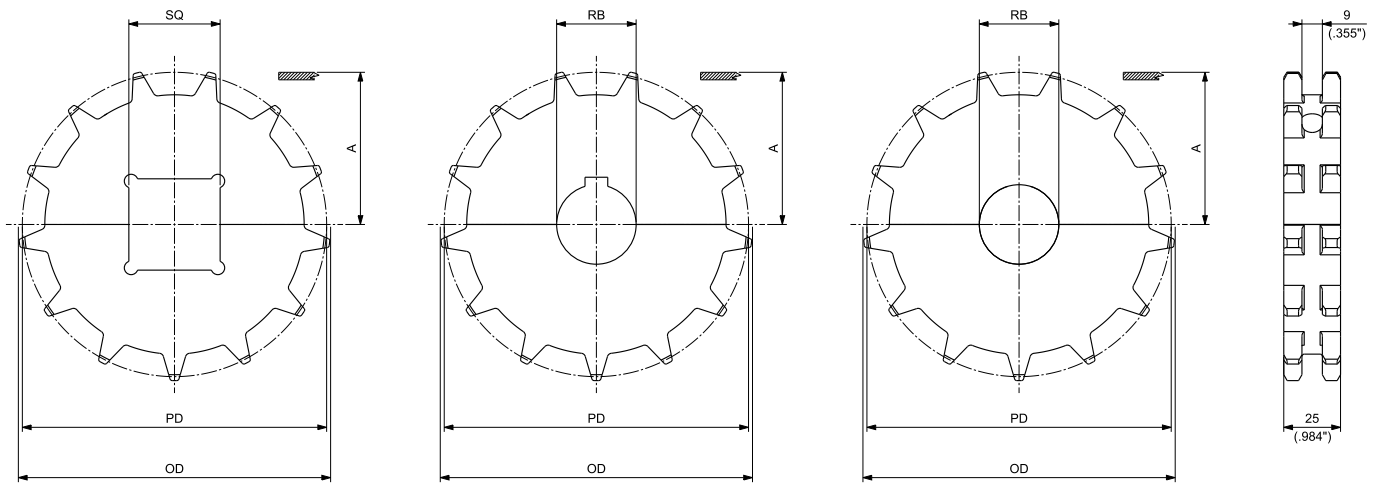
• 2556

MATERIALS

SPROCKETS: **PA** POLYAMIDE

SCREWS: **SS** STAINLESS STEEL

NUTS: **B** BRASS



ROUND BORE-DRIVE

ROUND BORE-IDLER

SQUAREBORE-DRIVE/IDLER

MACHINED DOUBLE ROW SPLIT DRIVE AND IDLER SPROCKETS

N. TEETH	PITCH DIAMETER PD		OUTSIDE DIAMETER OD		WEAR STRIP POSITIONING A		BORE SIZE*		PART NUMBER			WEIGHT	
	mm	inch	mm	inch	mm	inch	SQUARE BORE SQ		ROUND BORE RB		Kg	lbs	
							DRIVE/IDLER	DRIVE	IDLER				
10	102,75	4.045	106,50	4.193	45,03	1.773	30		MPBAST255510D30	MPBASQ255510D30	0,18	0.40	
							35		MPBAST255510D35	MPBASQ255510D35	0,17	0.37	
							40	MPBAST255510D40	MPBASQ255510D40	0,16	0.35		
							1		MPBAST255510D254	MPBASQ255510D254	0,19	0.42	
							1 1/2		MPBAST255510D317	MPBASQ255510D317	0,18	0.40	
							1 1/2	MPBAST255510D381	MPBASQ255510D381	0,17	0.37		
13	132,67	5.223	137,50	5.413	59,99	2.362	30		MPBAST255513D30	MPBASQ255513D30	0,30	0.66	
							35		MPBAST255513D35	MPBASQ255513D35	0,29	0.64	
							40	MPBAST255513D40	MPBASQ255513D40	0,28	0.62		
							1		MPBAST255513D254	MPBASQ255513D254	0,30	0.67	
							1 1/2		MPBAST255513D317	MPBASQ255513D317	0,30	0.65	
							1 1/2	MPBAST255513D381	MPBASQ255513D381	0,29	0.63		
15	152,71	6.012	158,00	6.220	70,01	2.756	30		MPBAST255515D30	MPBASQ255515D30	0,41	0.91	
							35		MPBAST255515D35	MPBASQ255515D35	0,41	0.89	
							40	MPBAST255515D40	MPBASQ255515D40	0,40	0.88		
							1		MPBAST255515D254	MPBASQ255515D254	0,42	0.92	
							1 1/2		MPBAST255515D317	MPBASQ255515D317	0,41	0.91	
							1 1/2	MPBAST255515D381	MPBASQ255515D381	0,40	0.88		
16	162,75	6.407	168,00	6.614	75,03	2.954	30		MPBAST255516D30	MPBASQ255516D30	0,48	1.05	
							35		MPBAST255516D35	MPBASQ255516D35	0,47	1.04	
							40	MPBAST255516D40	MPBASQ255516D40	0,46	1.02		
							1		MPBAST255516D254	MPBASQ255516D254	0,48	1.07	
							1 1/2		MPBAST255516D317	MPBASQ255516D317	0,48	1.05	
							1 1/2	MPBAST255516D381	MPBASQ255516D381	0,47	1.03		

*In case of round bore, diameter is indicated. In case of square bore, side of the square is indicated.

** Imperial round bore drive sprockets are supplied with setscrew. Metric round bore drive sprockets are supplied without setscrew.