

### SUITABLE FOR CHAINS:

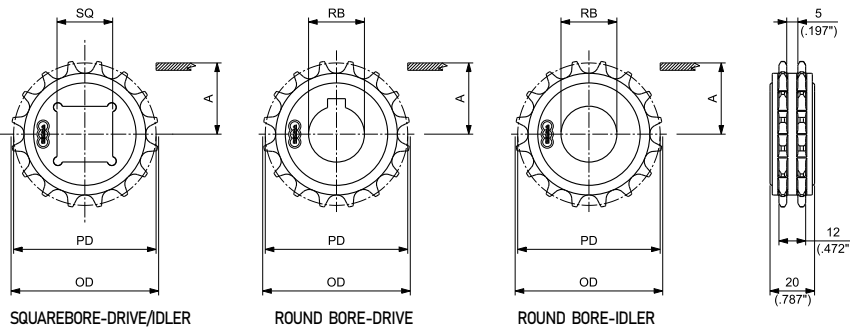
- 600 / 610 / LBP610
- 500 / HF 500 / HF 510 / HFS510
- 300
- 200 / HF 200
- 611 WITHOUT TRACKING GUIDE (ALL WIDTHS)
- 611 WITH TRACKING GUIDE (51 mm, 76 mm WIDTHS ONLY)
- RR611 (ALL WIDTHS)

### MATERIALS

SPROCKETS: **PGF** REINFORCED POLYAMIDE



### 16T SPROCKET

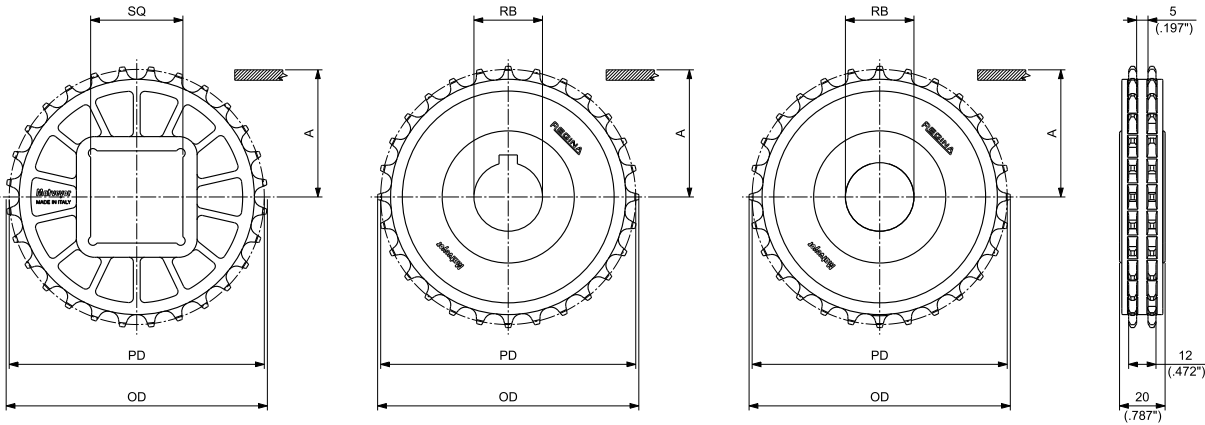


SQUAREBORE-DRIVE/IDLER

ROUND BORE-DRIVE

ROUND BORE-IDLER

### 28T SPROCKET



SQUAREBORE-DRIVE/IDLER

ROUND BORE-DRIVE

ROUND BORE-IDLER

### MOULDED SOLID DRIVE AND IDLER SPROCKETS

N. TEETH	PITCH DIAMETER PD		OUTSIDE DIAMETER OD		WEAR STRIP POSITIONING A		BORESIZE*		SQUARE BORE SQ DRIVE/IDLER	PART NUMBER		WEIGHT		
	mm	inch	mm	inch	mm	inch	mm	inch		DRIVE	ROUND BORE RB IDLER	Kg	lbs	
16	65,10	2.563	66,30	2.610	28,20	1.110	20			MPBT6001620	MPBF6001620	0,06	0.13	
										MPBQ6001625	MPBT6001625	MPBF6001625	0,05	0.12
											MPBT6001630	MPBF6001630	0,05	0.10
										1	MPBT60016254	MPBF60016254	0,05	0.12
										1½	MPBT60016317	MPBF60016317	0,04	0.10
28	113,43	4.466	114,70	4.516	52,40	2.063	25			MPBT6002825	MPBF6002825	0,15	0.32	
										MPBT6002830	MPBF6002830	0,14	0.31	
										MPBT6002835	MPBF6002835	0,13	0.29	
										MPBQ6002840	MPBT6002840	MPBF6002840	0,12	0.27
										MPBQ6002860			0,10	0.23
										1	MPBT60028254	MPBF60028254	0,15	0.32
										1½	MPBT60028317	MPBF60028317	0,14	0.30
	1½	MPBQ60028381	MPBT60028381	MPBF60028381	0,13	0.28								

\*In case of round bore, diameter is indicated. In case of square bore, side of the square is indicated.

### SUITABLE FOR CHAINS:

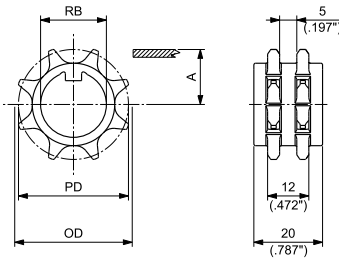
- 600 / 610 / LBP610
- 500 / HF 500 / HF 510 / HFS510
- 300
- 200 / HF 200
- 611 WITHOUT TRACKINGGUIDE (ALL WIDTHS)
- 611 WITH TRACKINGGUIDE (51 mm, 76 mm WIDTHS ONLY)
- RR611 (ALL WIDTHS)

### MATERIALS

SPROCKETS: **PA** POLYAMIDE

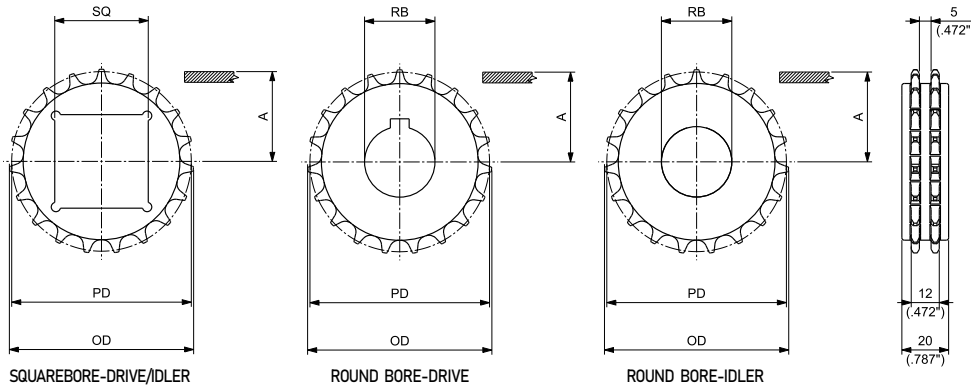


### 8T SPROCKET



NOTE: CANNOT WORK WITH 600 AND 500 SERIES

### 14T -19T SPROCKET



### MACHINED SOLID DRIVE AND IDLER SPROCKETS

N. TEETH	PITCH DIAMETER PD		OUTSIDE DIAMETER OD		WEAR STRIP POSITIONING A		BORE SIZE*		SQUARE BORE SQ DRIVE/IDLER	PART NUMBER		WEIGHT	
	mm	inch	mm	inch	mm	inch	mm	inch**		DRIVE	ROUND BORE RB IDLER	Kg	lbs
8 <sup>(1)</sup>	33,19	1.307	34,20	1.346	12,25	0.482	20		MPBAT6000820	MPBAF6000820	0,01	0,01	
							3/4		MPBAT60008190	MPBAF60008190	0,01	0,01	
14	57,07	2.247	59,00	2.323	24,18	0.952	25	MPBAQ6001425	MPBAT6001425	MPBAF6001425	0,03	0,06	
							1		MPBAT60014254	MPBAF60014254	0,03	0,06	
							25		MPBAT6001925	MPBAF6001925	0,07	0,16	
							30		MPBAT6001930	MPBAF6001930	0,07	0,15	
							35		MPBAT6001935	MPBAF6001935	0,06	0,13	
19	77,15	3.037	78,80	3.102	34,20	1.346	40	MPBAQ6001940	MPBAT6001940	MPBAF6001940	0,05	0,12	
							1		MPBAT60019254	MPBAF60019254	0,07	0,16	
							1 1/2		MPBAT60019317	MPBAF60019317	0,07	0,14	
							1 1/2		MPBAQ60019381		0,05	0,11	

\*In case of round bore, diameter is indicated. In case of square bore, side of the square is indicated.

\*\* Imperial round bore drive sprockets are supplied with setscrew (except for 8T sprocket). Metric round bore drive sprockets are supplied without setscrew.

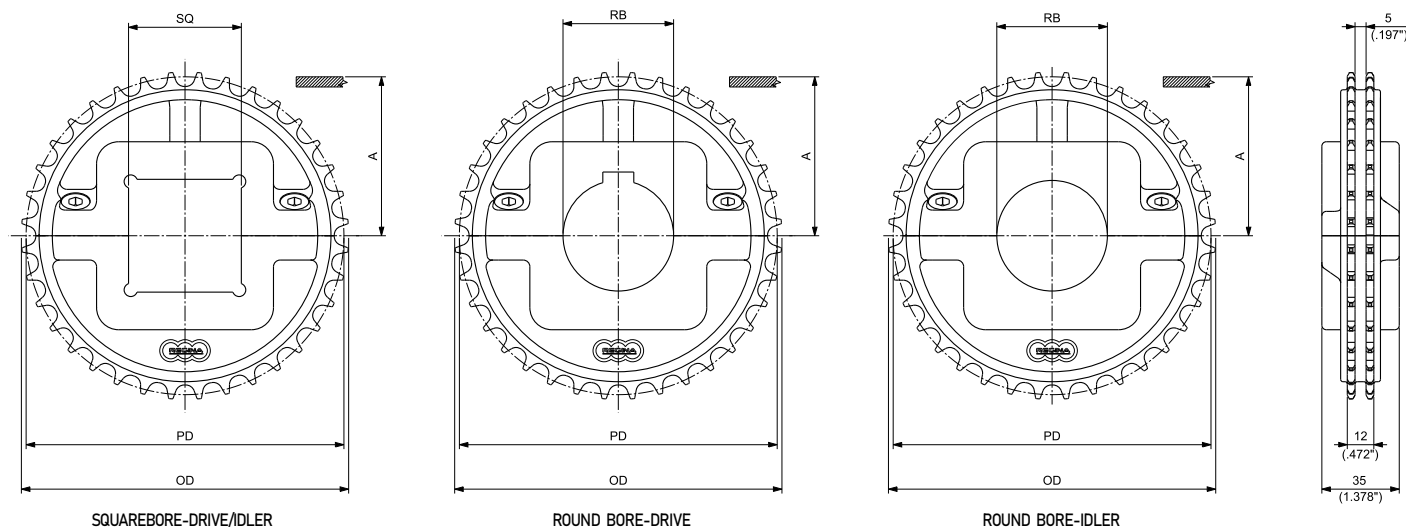
(1) Cannot work with 600 and 500 series.

### SUITABLE FOR CHAINS:

- 600 / 610 / LBP610
- 500 / HF 500 / HF 510 / HFS510
- 300
- 200 / HF 200
- 611 WITHOUT TRACKINGGUIDE (ALL WIDTHS)
- 611 WITH TRACKINGGUIDE (51 mm, 76 mm WIDTHSONLY)
- RR611 (ALL WIDTHS)

### MATERIALS

SPROCKETS:	<b>PGF</b>	REINFORCED POLYAMIDE
SCREWS:	<b>SS</b>	STAINLESS STEEL
NUTS:	<b>ZN</b>	ZINC PLATED STEEL



NOTE: FOR 28T SPROCKET, THE HUB WIDTH IS 26 mm (1.024")

### MOULDED SPLIT DRIVE AND IDLER SPROCKETS

N. TEETH	PITCH DIAMETER PD		OUTSIDE DIAMETER OD		WEARSTRIP POSITIONING A		BORESIZE*		PART NUMBER			WEIGHT	
	mm	inch	mm	inch	mm	inch	mm	inch**	SQUARE BORE SQ DRIVE/IDLER	ROUND BORE RB DRIVE	ROUND BORE RB IDLER	Kg	lbs
28	113,43	4.466	114,69	4.515	52,40	2.063	25		MPBST6002825	MPBSF6002825		0,16	0.35
							30		MPBST6002830	MPBSF6002830		0,16	0.34
							35		MPBST6002835	MPBSF6002835		0,15	0.33
							40		MPBSQ6002840	MPBST6002840	MPBSF6002840	0,14	0.32
							1		MPBST60028254	MPBSF60028254		0,16	0.35
							1 1/2		MPBST60028317	MPBSF60028317		0,15	0.34
36	145,69	5.736	148,00	5.827	68,50	2.697	1 1/2		MPBSQ60028381	MPBST60028381	MPBSF60028381	0,15	0.32
							30		MPBST6003630	MPBSF6003630		0,38	0.83
							35		MPBST6003635	MPBSF6003635		0,37	0.82
							40		MPBSQ6003640	MPBST6003640	MPBSF6003640	0,36	0.80
							45		MPBST6003645	MPBSF6003645		0,35	0.78
							50		MPBSQ6003650	MPBST6003650	MPBSF6003650	0,34	0.75
							1		MPBST60036254	MPBSF60036254		0,38	0.85
							1 3/16		MPBST60036301	MPBSF60036301		0,38	0.83
							1 1/4		MPBST60036317	MPBSF60036317		0,38	0.83
							1 7/16		MPBST60036365	MPBSF60036365		0,37	0.81
38	153,8	6.055	156,00	6.142	72,55	2.856	1 1/2		MPBSQ60036381	MPBST60036381	MPBSF60036381	0,37	0.81
							30		MPBST6003830	MPBSF6003830		0,39	0.86
							35		MPBST6003835	MPBSF6003835		0,38	0.84
							40		MPBSQ6003840	MPBST6003840	MPBSF6003840	0,37	0.83
							45		MPBST6003845	MPBSF6003845		0,36	0.80
							50		MPBSQ6003850	MPBST6003850	MPBSF6003850	0,35	0.78
							1		MPBST60038254	MPBSF60038254		0,40	0.87
							1 3/16		MPBST60038301	MPBSF60038301		0,39	0.86
							1 1/4		MPBST60038317	MPBSF60038317		0,39	0.86
							1 7/16		MPBST60038365	MPBSF60038365		0,38	0.84
							1 1/2		MPBSQ60038381	MPBST60038381	MPBSF60038381	0,38	0.84

\*In case of round bore, diameter is indicated. In case of square bore, side of the square is indicated.

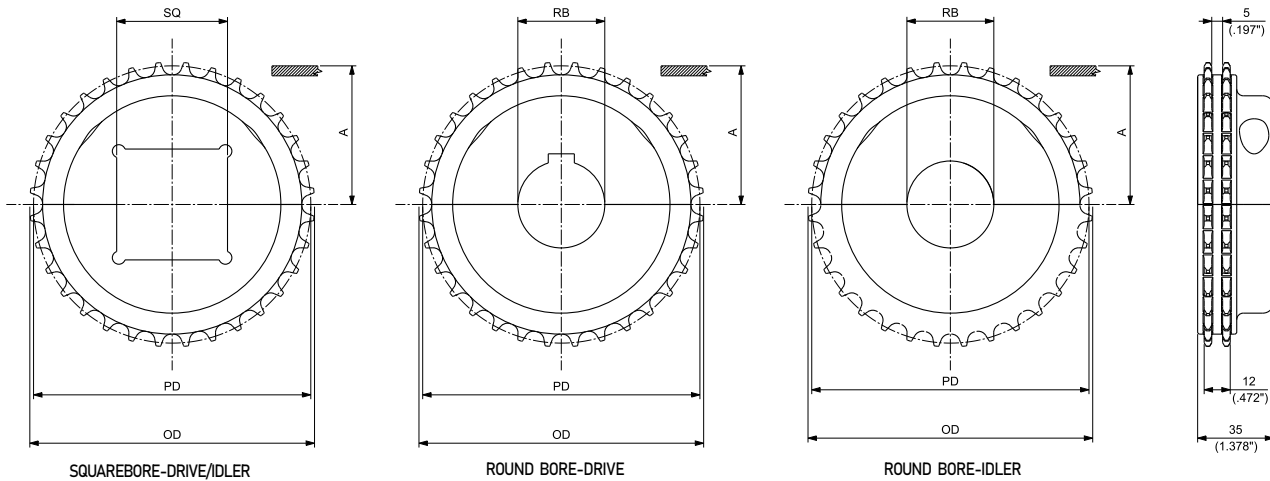
\*\*Imperial round bore drive sprockets are supplied with setscrew. Metric round bore drive sprockets are supplied without setscrew.

### SUITABLE FOR CHAINS:

- 600 / 610 / LBP610
- 500 / HF 500 / HF 510 / HFS510
- 300
- 200 / HF 200
- 611 WITHOUT TRACKINGGUIDE (ALL WIDTHS)
- 611 WITH TRACKINGGUIDE (51 mm, 76 mm WIDTHSONLY)
- RR611 (ALL WIDTHS)

### MATERIALS

SPROCKETS:	<b>PA</b>	POLYAMIDE
SCREWS:	<b>SS</b>	STAINLESS STEEL
NUTS:	<b>B</b>	BRASS



### MACHINED SPLIT DRIVE AND IDLER SPROCKETS

N. TEETH	PITCH DIAMETER PD		OUTSIDE DIAMETER OD		WEARSTRIP POSITIONING A		BORESIZE*		PART NUMBER			WEIGHT	
	mm	inch	mm	inch	mm	inch	mm	inch**	SQUARE BORE SQ DRIVE/IDLER	ROUND BORE RB DRIVE	ROUND BORE RB IDLER	Kg	lbs
32	129,57	5.101	131,00	5.157	60,44	2.379				MPBAST6003225	MPBASF6003225	0,41	0.90
										MPBAST6003230	MPBASF6003230	0,40	0.88
										MPBAST6003235	MPBASF6003235	0,39	0.85
									MPBASQ6003240	MPBAST6003240	MPBASF6003240	0,38	0.83
										MPBAST6003245	MPBASF6003245	0,36	0.80
									MPBASQ6003250	MPBAST6003250	MPBASF6003250	0,35	0.77
									1	MPBAST60032254	MPBASF60032254	0,41	0.90
									1 3/16	MPBAST60032301	MPBASF60032301	0,40	0.88
									1 1/4	MPBAST60032317	MPBASF60032317	0,39	0.87
									1 7/16	MPBAST60032365	MPBASF60032365	0,38	0.85
1 1/2	MPBAST60032381	MPBASF60032381	0,38	0.84									

\*In case of round bore, diameter is indicated. In case of square bore, side of the square is indicated.

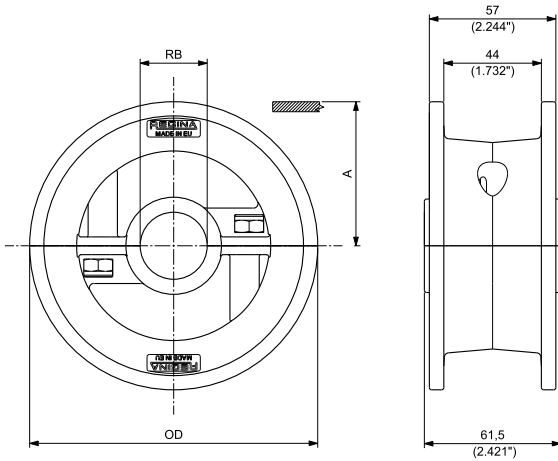
\*\* Imperial round bore drive sprockets are supplied with setscrew. Metric round bore drive sprockets are supplied without setscrew.

### SUITABLE FOR CHAINS:

- 500 / 600 / 610 / LBP610 / HF 510 / HFS510 / 300 / 200 / HF 200
- 1500 / 1600 / RR1500 / HF 1600 / HFS 1600
- 7300 / 7200
- USPM/ USP/ HF USPM/ HFS USPM/ LBPUSPM/ LBPXSPM
- 782M / 783M / 793M

### MATERIALS

SPROCKETS:	<b>PGF</b>	REINFORCED POLYAMIDE
SCREWS:	<b>SS</b>	STAINLESS STEEL
NUTS:	<b>ZN</b>	ZINC PLATED STEEL



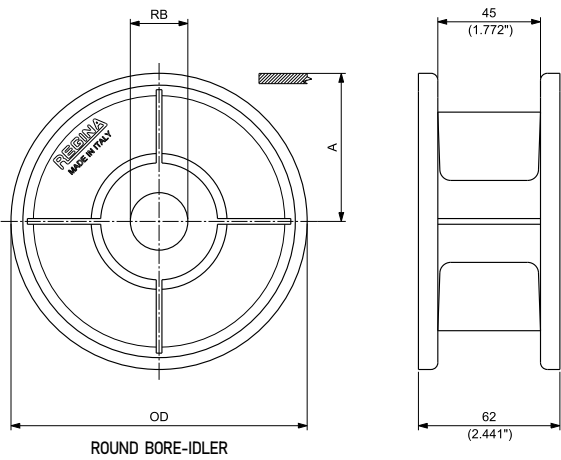
### MOULDED SPLIT IDLER WHEELS

N. TEETH	OUTSIDE DIAMETER		WEARSTRIP POSITIONING		BORESIZE*		PART NUMBER ROUND BORE RB IDLER	WEIGHT																
	mm	inch	mm	inch	mm	inch		Kg	lbs															
21	129,80	5.110	64,90	2.555	25		CMTS048152125	0,33	0.72															
					30					CMTS048152130	0,33	0.73												
					35								CMTS048152135	0,31	0.68									
					40											CMTS048152140	0,34	0.76						
					45														CMTS048152145	0,31	0.69			
					1																	CMTS0481521254	0,33	0.72
					1 1/2																			
23	142,30	5.602	71,15	2.801	25		CMTS048152325	0,36	0.80															
					30					CMTS048152330	0,37	0.81												
					35								CMTS048152335	0,35	0.76									
					40											CMTS048152340	0,38	0.84						
					45														CMTS048152345	0,35	0.77			
					1																	CMTS0481523254	0,36	0.80
					1 1/2																			
25	154,70	6.091	77,35	3.045	25		CMTS048152525	0,40	0.89															
					30					CMTS048152530	0,41	0.90												
					35								CMTS048152535	0,39	0.85									
					40											CMTS048152540	0,42	0.92						
					45														CMTS048152545	0,39	0.86			
					1																	CMTS0481525254	0,40	0.89
					1 1/2																			

\*Diameter is indicated.

## MATERIALS

SPROCKETS: **PGF** REINFORCED POLYAMIDE



## MOULDED SOLID IDLER WHEELS

N. TEETH	OUTSIDE DIAMETER OD		WEAR STRIP POSITIONING A		BORESIZE*		PART NUMBER ROUND BORE RB IDLER	WEIGHT	
	mm	inch	mm	inch	mm	inch		Kg	lbs
21	129,80	5.110	64,90	2.555	25		CMT032502101	0,22	0.48
					30		CMT032502102	0,22	0.49
					35		CMT032502103	0,22	0.49
					40		CMT032502104	0,20	0.44
					1		CMT032502106	0,22	0.49
					1 ¼		CMT032502108	0,21	0.47
					1 ⅜		CMT032502111	0,21	0.47
					1 ⅞		CMT032502109	0,20	0.44
					1 ½		CMT032502110	0,22	0.49
					23	142,30	5.602	71,15	2.801
30		CMT032502302	0,25	0.55					
35		CMT032502303	0,24	0.53					
40		CMT032502304	0,24	0.54					
1		CMT032502306	0,24	0.54					
1 ¼		CMT032502308	0,24	0.53					
1 ⅜		CMT032502311	0,24	0.53					
1 ⅞		CMT032502309	0,24	0.53					
1 ½		CMT032502310	0,25	0.55					
25	154,70	6.091	77,35	3.045					
					30		CMT032502502	0,30	0.66
					35		CMT032502503	0,29	0.64
					40		CMT032502504	0,28	0.62
					1		CMT032502506	0,30	0.65
					1 ¼		CMT032502508	0,29	0.64
					1 ⅜		CMT032502511	0,29	0.64
					1 ⅞		CMT032502509	0,29	0.64
					1 ½		CMT032502510	0,28	0.61

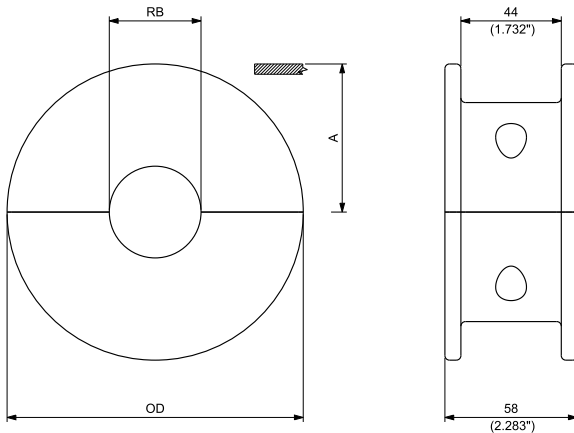
\*Diameter is indicated.

### MATERIALS

SPROCKETS:	<b>PA</b>	POLYAMIDE
SCREWS:	<b>SS</b>	STAINLESS STEEL
NUTS:	<b>B</b>	BRASS



### 17T & 19T IDLERWHEELS (for 21T, 23T & 25T seenext page)



ROUND BORE-IDLER

### MACHINED SPLIT IDLER WHEELS

N. TEETH	OUTSIDE DIAMETER OD		WEAR STRIP POSITIONING A		BORESIZE*		PART NUMBER ROUND BORE RB IDLER	WEIGHT	
	mm	inch	mm	inch	mm	inch		Kg	lbs
17	106,50	4.193	53,25	2.096	25		CMAS048151725	0,34	0.76
					30		CMAS048151730	0,33	0.73
					35		CMAS048151735	0,31	0.69
					40		CMAS048151740	0,29	0.65
						1	CMAS0481517254	0,34	0.76
						1 ¼	CMAS0481517317	0,32	0.71
						1 ⅜	CMAS0481517349	0,32	0.71
19	118,00	4.646	59,00	2.323	25		CMAS048151925	0,45	1.00
					30		CMAS048151930	0,44	0.97
					35		CMAS048151935	0,42	0.93
					40		CMAS048151940	0,40	0.89
						1	CMAS0481519254	0,45	1.00
						1 ¼	CMAS0481519317	0,42	0.92
						1 ⅜	CMAS0481519349	0,42	0.92
	1 ⅞	CMAS0481519365	0,40	0.89					
	1 1/2	CMAS0481519381	0,38	0.84					

\*Diameterisindicated.