

### SUITABLE FOR CHAINS:

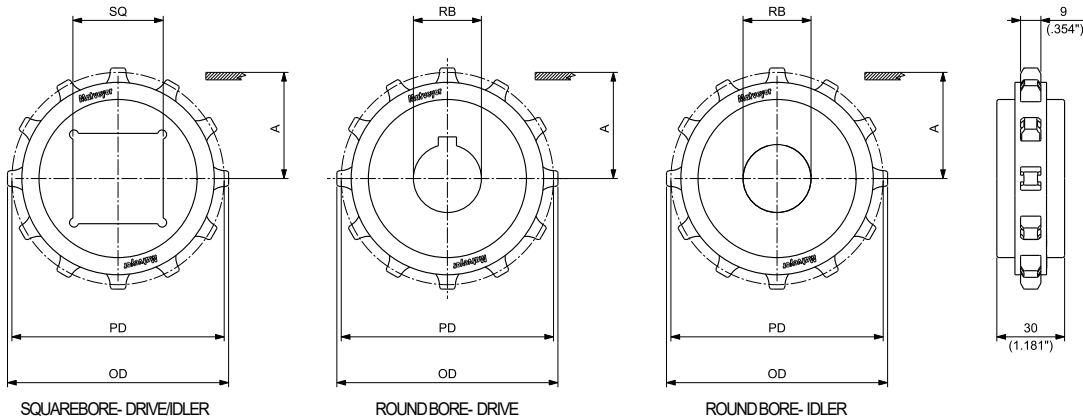
- 1500 / 1501
- 1600
- HF 1600
- HFS1600
- RR1500
- RR1600
- 1110

### MATERIALS

SPROCKETS: **PGF** REINFORCED POLYAMIDE



### 8T & 12T SPROCKETS



NOTE: FOR 8T SPROCKET, THE HUB WIDTH IS 25 mm (0.984")

### MOULDED SOLID DRIVE AND IDLER SPROCKETS

N. TEETH	PITCH DIAMETER PD		OUTSIDE DIAMETER OD		WEARSTRIP POSITIONING A		BORESIZE*		SQUARE BORE SQ DRIVE/IDLER	PART NUMBER		WEIGHT		
	mm	inch	mm	inch	mm	inch	mm	inch		DRIVE	IDLER	Kg	lbs	
8	66,37	2.613	64,50	2.539	28,80	1.134	20			MPBT10100820	MPBF10100820	0,05	0.11	
							25			MPBT10100825	MPBF10100825	0,04	0.10	
							30			MPBT10100830	MPBF10100830	0,04	0.08	
							1 1/4			MPBT101008254	MPBF101008254	0,04	0.10	
							1 1/2			MPBT101008317	MPBF101008317	0,03	0.07	
12	98,14	3.864	97,90	3.854	44,70	1.760	30			MPBT10101230	MPBF10101230	0,14	0.30	
							35			MPBT10101235	MPBF10101235	0,13	0.28	
							40			MPBQ10101240	MPBT10101240	MPBF10101240	0,12	0.27
							1 3/16			MPBT101012301	MPBF101012301	0,14	0.30	
							1 7/16			MPBT101012365	MPBF101012365	0,12	0.27	
							1 1/2			MPBT101012381	MPBF101012381	0,12	0.26	

\*In case of round bore, diameter is indicated. In case of square bore, side of the square is indicated.

### SUITABLE FOR CHAINS:

- 1500 / 1501
- 1600
- HF 1600
- HFS 1600
- RR 1500
- RR 1600
- 1110

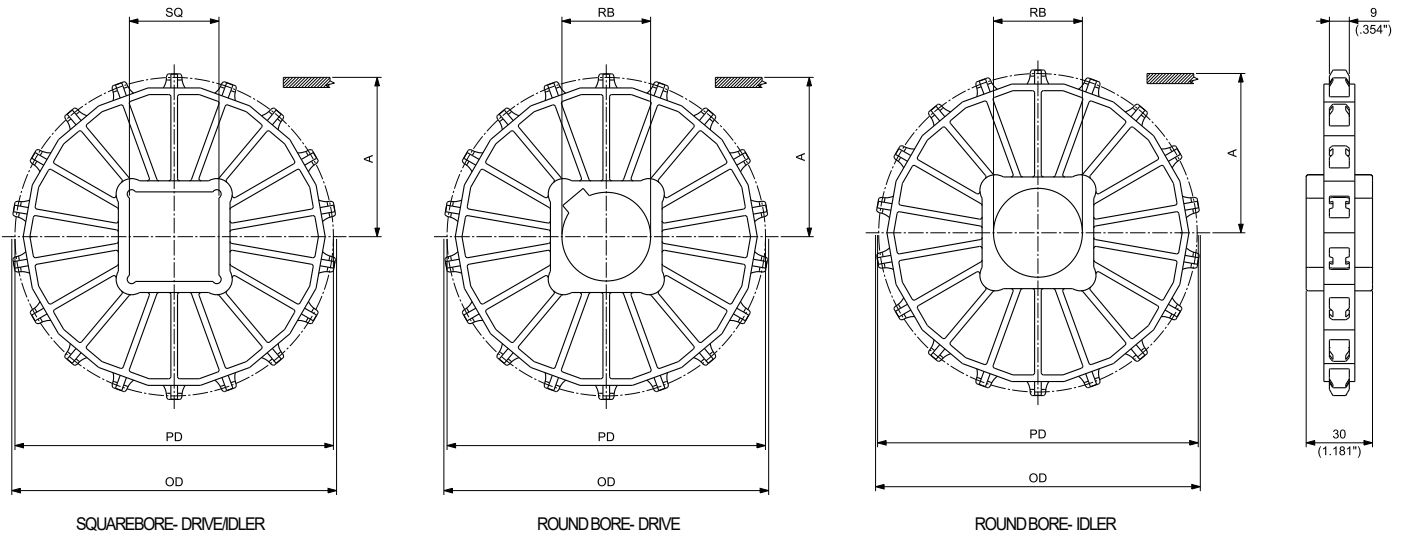
### MATERIALS

SPROCKETS: **PGF** REINFORCED POLYAMIDE



### 13T & 18T SPROCKETS

(for 19T & 21T see next page, for 8T & 12T see previous page)



### MOULDED SOLID DRIVE AND IDLER SPROCKETS

N. TEETH	PITCH DIAMETER		OUTSIDE DIAMETER		WEARSTRIP POSITIONING		BORESIZE*		PART NUMBER			WEIGHT	
	PD	inch	OD	inch	A	inch	mm	inch	SQUARE BORE SQ DRIVE/IDLER	ROUND BORE RB DRIVE	ROUND BORE RB IDLER	Kg	lbs
13	106,14	4.179	106,20	4.181	48,70	1.917	30	1 1/2		MPBT10101330	MPBF10101330	0,17	0.38
										MPBT10101335	MPBF10101335	0,15	0.33
									MPBQ10101340	MPBT10101340	MPBF10101340	0,16	0.36
										MPBT101013301	MPBF101013301	0,17	0.38
										MPBT101013365	MPBF101013365	0,16	0.35
									MPBQ10101381	MPBT101013381	MPBF101013381	0,15	0.34
18	146,27	5.759	147,20	5.795	68,80	2.709	30	1 1/2		MPBT10101830	MPBF10101830	0,19	0.41
										MPBT10101835	MPBF10101835	0,21	0.47
									MPBQ10101840	MPBT10101840	MPBF10101840	0,20	0.44
									MPBQ10101860			0,16	0.36
										MPBT101018301		0,21	0.46
										MPBT101018365	MPBF101018365	0,20	0.43
	MPBT101018381	MPBF101018381	0,19	0.42									

\*In case of round bore, diameter is indicated. In case of square bore, side of the square is indicated.

## SUITABLE FOR CHAINS:

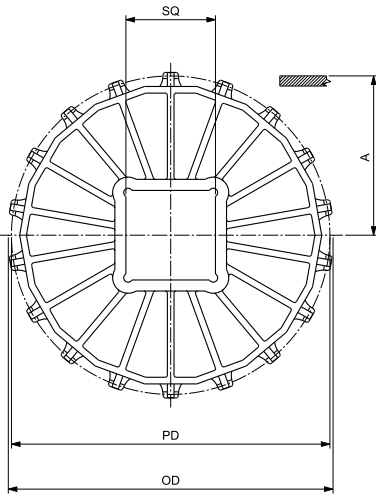
- 1500 / 1501
- 1600
- HF 1600
- HFS1600
- RR1500
- RR1600
- 1110

## 19T & 21T SPROCKETS

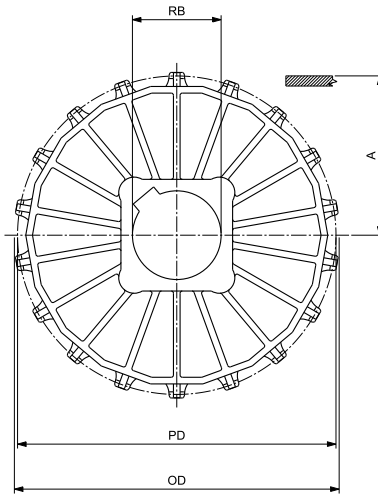
(for 8T, 12T, 13T & 18T see previous pages)

### MATERIALS

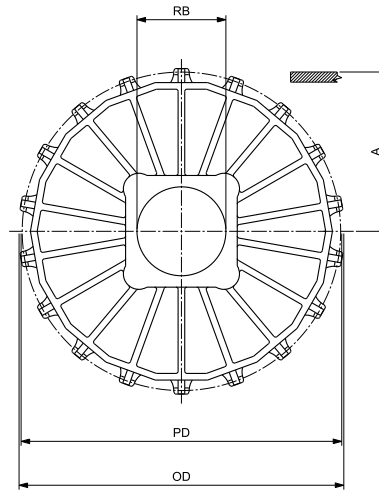
SPROCKETS: **PGF** REINFORCED POLYAMIDE



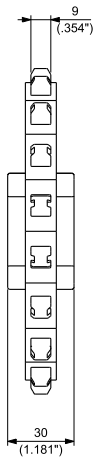
SQUARE BORE- DRIVE/IDLER



ROUND BORE- DRIVE



ROUND BORE- IDLER



## MOULDED SOLID DRIVE AND IDLER SPROCKETS

N. TEETH	PITCH DIAMETER PD		OUTSIDE DIAMETER OD		WEARSTRIP POSITIONING A		BORESIZE*		PART NUMBER			WEIGHT	
	mm	inch	mm	inch	mm	inch	mm	inch	SQUARE BORE SQ DRIVE/IDLER	ROUND BORE RB DRIVE	ROUND BORE RB IDLER	Kg	lbs
19	154,32	6.076	155,30	6.114	72,80	2.866	30			MPBT10101930	MPBF10101930	0,18	0.41
							35			MPBT10101935	MPBF10101935	0,17	0.38
							40		MPBQ10101940	MPBT10101940	MPBF10101940	0,16	0.35
							50			MPBT10101950	MPBF10101950	0,19	0.42
							60		MPBQ10101960	MPBT10101960	MPBF10101960	0,15	0.34
							65		MPBQ10101965			0,17	0.37
							1			MPBT101019254	MPBF101019254	0,19	0.43
							1 3/16			MPBT101019301	MPBF101019301	0,18	0.41
							1 7/16			MPBT101019365	MPBF101019365	0,17	0.37
							1 1/2		MPBQ101019381	MPBT101019381	MPBF101019381	0,17	0.36
2 1/2		MPBQ101019635			0,17	0.37							
21	170,42	6.709	171,60	6.756	80,90	3.185	30			MPBT10102130	MPBF10102130	0,27	0.59
							35			MPBT10102135	MPBF10102135	0,26	0.57
							40		MPBQ10102140	MPBT10102140	MPBF10102140	0,25	0.54
							50			MPBT10102150	MPBF10102150	0,29	0.64
							60		MPBQ10102160			0,22	0.49
							1 3/16			MPBT101021301	MPBF101021301	0,27	0.59
							1 7/16			MPBT101021365	MPBF101021365	0,25	0.56
							1 1/2		MPBQ101021381	MPBT101021381	MPBF101021381	0,25	0.55

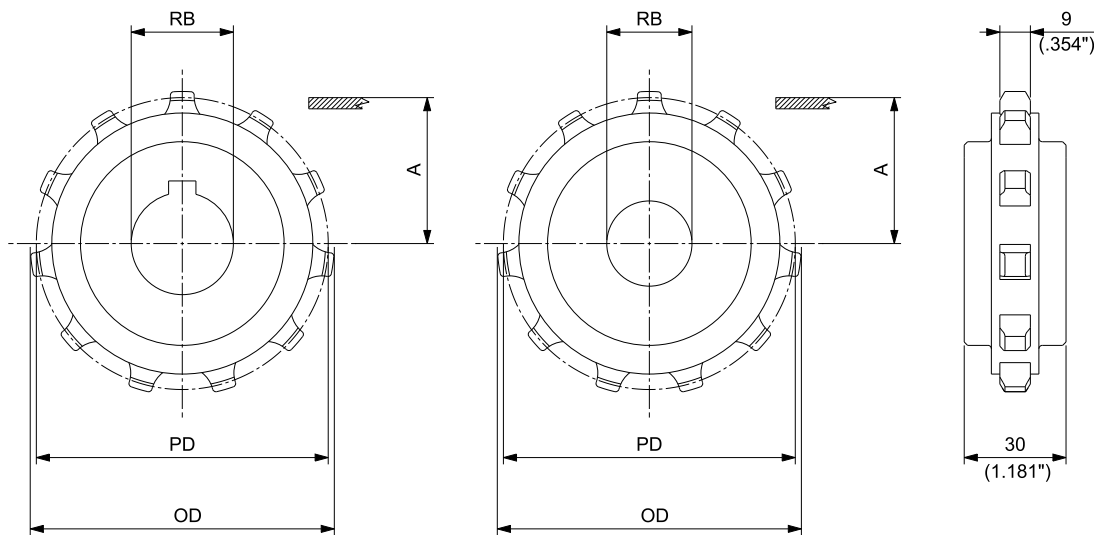
\*In case of round bore, diameter is indicated. In case of square bore, side of the square is indicated.

### SUITABLE FOR CHAINS:

- 1500 / 1501
- 1600
- HF 1600
- HFS1600
- RR1500
- RR1600
- 1110

### MATERIALS

SPROCKETS: **PA** POLYAMIDE



ROUNDBORE- DRIVE

ROUNDBORE- IDLER

### MACHINED SOLID DRIVE AND IDLER SPROCKETS

N. TEETH	PITCH DIAMETER PD		OUTSIDE DIAMETER OD		WEARSTRIP POSITIONING A		BORESIZE*		PART NUMBER ROUND BORE RB		WEIGHT	
	mm	inch	mm	inch	mm	inch	mm	inch**	DRIVE	IDLER	Kg	lbs
10	82,20	3.236	81,30	3.201	36,70	1.445	25		<b>MPBAT10101025</b>	<b>MPBAF10101025</b>	0,09	0.19
							30		<b>MPBAT10101030</b>	<b>MPBAF10101030</b>	0,08	0.18
							1		<b>MPBAT101010254</b>	<b>MPBAF101010254</b>	0,09	0.19
							1¼		<b>MPBAT101010317</b>	<b>MPBAF101010317</b>	0,08	0.17
							1½		<b>MPBAT101010381</b>	<b>MPBAF101010381</b>	0,07	0.14
11	90,16	3.550	89,60	3.528	40,70	1.602	25		<b>MPBAT10101125</b>	<b>MPBAF10101125</b>	0,11	0.25
							30		<b>MPBAT10101130</b>	<b>MPBAF10101130</b>	0,11	0.23
							1		<b>MPBAT101011254</b>	<b>MPBAF101011254</b>	0,11	0.25
							1¼		<b>MPBAT101011317</b>	<b>MPBAF101011317</b>	0,10	0.23
							1½		<b>MPBAT101011381</b>	<b>MPBAF101011381</b>	0,09	0.20

\*Diameter is indicated.

\*\* Imperial round bore drive sprockets are supplied with setscrew. Metric round bore drive sprockets are supplied without setscrew.



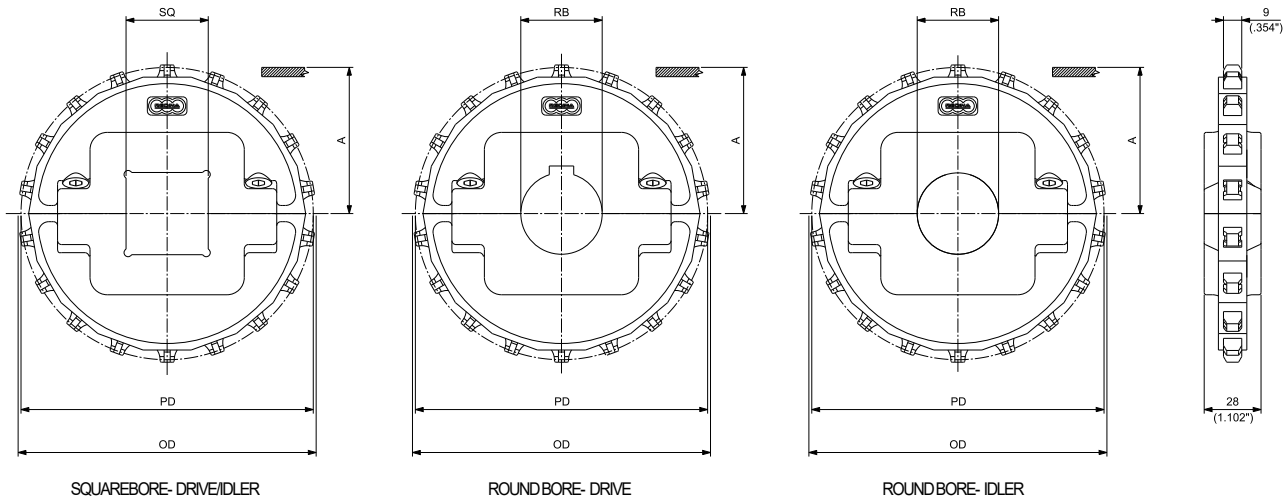
### SUITABLE FOR CHAINS:

- 1500 / 1501
- 1600
- HF 1600
- HFS1600
- RR1500
- RR1600
- 1110

MATERIALS	
SPROCKETS:	<b>PGF</b> REINFORCEDPOLYAMIDE
SCREW:	<b>SS</b> STAINLESS STEEL
NUTS:	<b>S+NC</b> ZINC PLATED STEEL



### 16T & 18T SPROCKETS (for 19T & 20T see next page)



### MOULDED SPLIT DRIVE AND IDLER SPROCKETS

N. TEETH	PITCH DIAMETER PD		OUTSIDE DIAMETER OD		WEARSTRIP POSITIONING A		BORESIZE*		PART NUMBER			WEIGHT	
	mm	inch	mm	inch	mm	inch	mm	inch**	SQUARE BORE SQ DRIVE/IDLER	ROUND BORE RB DRIVE	ROUND BORE RB IDLER	Kg	lbs
16	130,20	5.126	130,10	5.122	60,70	2.390				MPBST10101630	MPBSF10101630	0,27	0.59
										MPBST10101635	MPBSF10101635	0,26	0.58
									MPBSQ10101640	MPBST10101640	MPBSF10101640	0,25	0.56
										MPBST10101645	MPBSF10101645	0,25	0.54
									MPBSQ10101650	MPBST10101650	MPBSF10101650	0,24	0.52
									MPBSQ10101660			0,19	0.42
									1	MPBST101016254	MPBSF101016254	0,27	0.61
									1 3/16	MPBST101016301	MPBSF101016301	0,27	0.59
									1 1/4	MPBST101016317	MPBSF101016317	0,27	0.59
									1 1/8	MPBST101016365	MPBSF101016365	0,26	0.57
1 1/2	MPBSQ101016381	MPBST101016381	MPBSF101016381	0,26	0.57								
18	146,27	5.759	146,50	5.768	68,80	2.709				MPBST10101830	MPBSF10101830	0,32	0.71
										MPBST10101835	MPBSF10101835	0,32	0.70
									MPBSQ10101840	MPBST10101840	MPBSF10101840	0,31	0.68
										MPBST10101845	MPBSF10101845	0,30	0.66
									MPBSQ10101850	MPBST10101850	MPBSF10101850	0,29	0.64
									MPBSQ10101860	MPBST10101860	MPBSF10101860	0,27	0.59
									1	MPBST101018254	MPBSF101018254	0,33	0.72
									1 3/16	MPBST101018301	MPBSF101018301	0,32	0.71
									1 1/4	MPBST101018317	MPBSF101018317	0,32	0.71
									1 1/8	MPBST101018365	MPBSF101018365	0,31	0.69
1 1/2	MPBSQ101018381	MPBST101018381	MPBSF101018381	0,31	0.69								
2	MPBST101018508	MPBSF101018508	0,29	0.63									

\*In case of round bore, diameter is indicated. In case of square bore, side of the square is indicated.

\*\* Imperial round bore drive sprockets are supplied with setscrew. Metric round bore drive sprockets are supplied without setscrew.

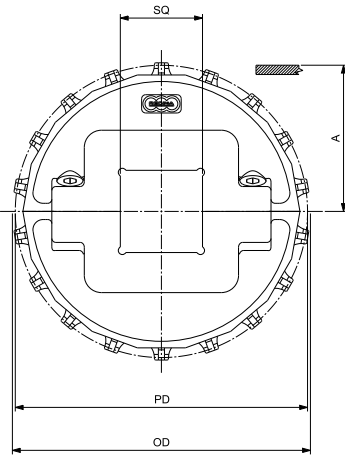
## SUITABLE FOR CHAINS:

- 1500 / 1501
- 1600
- HF 1600
- HFS1600
- RR1500
- RR1600
- 1110

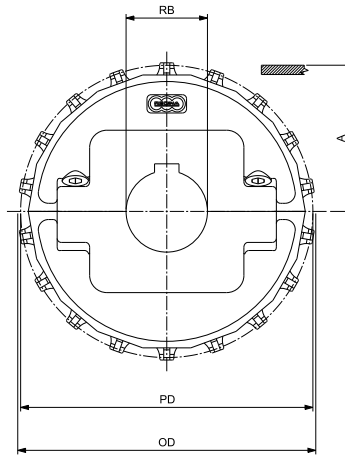
## 19T & 20T SPROCKETS

(for 16T & 18T see previous page)

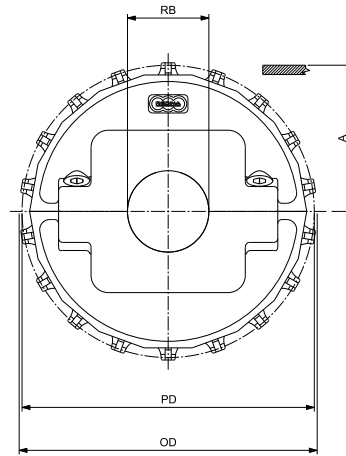
MATERIALS	
SPROCKETS:	<b>PGF</b> REINFORCED POLYAMIDE
SCREW:	<b>SS</b> STAINLESS STEEL
NUTS:	<b>S+NC</b> ZINC PLATED STEEL



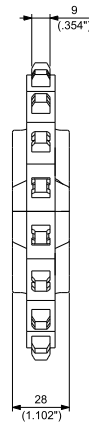
SQUAREBORE- DRIVE/IDLER



ROUNDBORE- DRIVE



ROUNDBORE- IDLER



## MOULDED SPLIT DRIVE AND IDLER SPROCKETS

N. TEETH	PITCH DIAMETER PD		OUTSIDE DIAMETER OD		WEARSTRIP POSITIONING A		BORESIZE*		PART NUMBER			WEIGHT	
	mm	inch	mm	inch	mm	inch	mm	inch**	SQUARE BORE SQ DRIVE/IDLER	ROUND BORE RB DRIVE	ROUND BORE RB IDLER	Kg	lbs
19	154,32	6.076	154,60	6.087	72,80	2.866	30			MPBST10101930	MPBSF10101930	0,33	0.72
							35			MPBST10101935	MPBSF10101935	0,32	0.71
							40		MPBSQ10101940	MPBST10101940	MPBSF10101940	0,31	0.69
							45			MPBST10101945	MPBSF10101945	0,30	0.67
							50		MPBSQ10101950	MPBST10101950	MPBSF10101950	0,30	0.65
							60		MPBSQ10101960	MPBST10101960	MPBSF10101960	0,27	0.61
							1			MPBST101019254	MPBSF101019254	0,35	0.77
							1 3/16			MPBST101019301	MPBSF101019301	0,33	0.72
							1 1/4			MPBST101019317	MPBSF101019317	0,32	0.71
							1 7/16			MPBST101019365	MPBSF101019365	0,32	0.70
20	162,37	6.393	162,80	6.409	76,80	3.024	30			MPBST10102030	MPBSF10102030	0,35	0.78
							35			MPBST10102035	MPBSF10102035	0,35	0.77
							40		MPBSQ10102040	MPBST10102040	MPBSF10102040	0,34	0.75
							50			MPBST10102050	MPBSF10102050	0,32	0.71
							60		MPBSQ10102060	MPBST10102060	MPBSF10102060	0,30	0.66
							65		MPBSQ10102065			0,26	0.58
							1			MPBST101020254	MPBSF101020254	0,36	0.79
							1 3/16			MPBST101020301	MPBSF101020301	0,35	0.78
							1 1/4			MPBST101020317	MPBSF101020317	0,35	0.78
							1 7/16			MPBST101020365	MPBSF101020365	0,35	0.76
							11/2		MPBSQ101020381	MPBST101020381	MPBSF101020381	0,34	0.76
							2			MPBST101020508	MPBSF101020508	0,32	0.71
							2 1/2		MPBSQ101020635			0,27	0.59

\*In case of round bore, diameter is indicated. In case of square bore, side of the square is indicated.

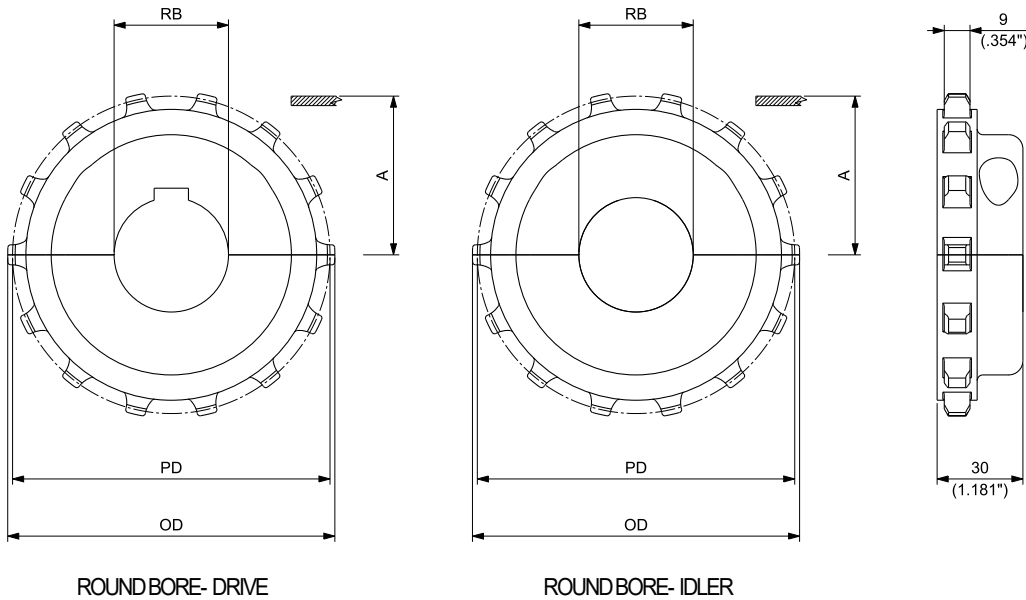
\*\* Imperial round bore drive sprockets are supplied with setscrew. Metric round bore drive sprockets are supplied without setscrew.



### SUITABLE FOR CHAINS:

- 1500 / 1501
- 1600
- HF 1600
- HFS1600
- RR1500
- RR1600
- 1110

MATERIALS	
SPROCKETS:	<b>PA</b> POLYAMIDE
SCREWS:	<b>SS</b> STAINLESS STEEL
NUTS:	<b>B</b> BRASS



### MACHINED SPLIT DRIVE AND IDLER SPROCKETS

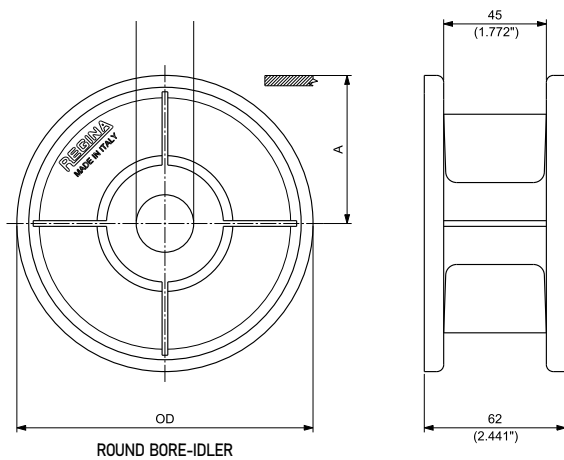
N. TEETH	PITCH DIAMETER PD		OUTSIDE DIAMETER OD		WEARSTRIP POSITIONING A		BORESIZE*		PART NUMBER ROUND BORE RB		WEIGHT	
	mm	inch	mm	inch	mm	inch	mm	inch**	DRIVE	IDLER	Kg	lbs
14	114,15	4.494	114,40	4.504	52,70	2.075	1		MPBAST10101425	MPBASF10101425	0,26	0.57
									MPBAST10101430	MPBASF10101430	0,25	0.55
									MPBAST10101435	MPBASF10101435	0,24	0.53
									MPBAST10101440	MPBASF10101440	0,23	0.51
14	114,15	4.494	114,40	4.504	52,70	2.075	1		MPBAST101014254	MPBASF101014254	0,26	0.56
									MPBAST101014301	MPBASF101014301	0,25	0.55
									MPBAST101014317	MPBASF101014317	0,25	0.54
									MPBAST101014365	MPBASF101014365	0,24	0.52
									MPBAST101014381	MPBASF101014381	0,23	0.52

\*Diameter isindicated.

\*\* Imperial round bore drive sprocketsare supplied with setscrew.Metric round bore drive sprocketsare supplied without setscrew.

## MATERIALS

SPROCKETS: **PGF** REINFORCED POLYAMIDE



## MOULDED SOLID IDLER WHEELS

N. TEETH	OUTSIDE DIAMETER OD		WEARSTRIP POSITIONING A		BORESIZE*		PART NUMBER ROUND BORE RB IDLER	WEIGHT	
	mm	inch	mm	inch	mm	inch		Kg	lbs
21	129,80	5.110	64,90	2.555	25		CMT032502101	0,22	0.48
					30		CMT032502102	0,22	0.49
					35		CMT032502103	0,22	0.49
					40		CMT032502104	0,20	0.44
					1		CMT032502106	0,22	0.49
					1 1/4		CMT032502108	0,21	0.47
					1 3/8		CMT032502111	0,21	0.47
					1 7/16		CMT032502109	0,20	0.44
					1 1/2		CMT032502110	0,22	0.49
					23	142,30	5.602	71,15	2.801
30		CMT032502302	0,25	0.55					
35		CMT032502303	0,24	0.53					
40		CMT032502304	0,24	0.54					
1		CMT032502306	0,24	0.54					
1 1/4		CMT032502308	0,24	0.53					
1 3/8		CMT032502311	0,24	0.53					
1 7/16		CMT032502309	0,24	0.53					
1 1/2		CMT032502310	0,25	0.55					
25	154,70	6.091	77,35	3.045					
					30		CMT032502502	0,30	0.66
					35		CMT032502503	0,29	0.64
					40		CMT032502504	0,28	0.62
					1		CMT032502506	0,30	0.65
					1 1/4		CMT032502508	0,29	0.64
					1 3/8		CMT032502511	0,29	0.64
					1 7/16		CMT032502509	0,29	0.64
					1 1/2		CMT032502510	0,28	0.61

\*Diameter is indicated.



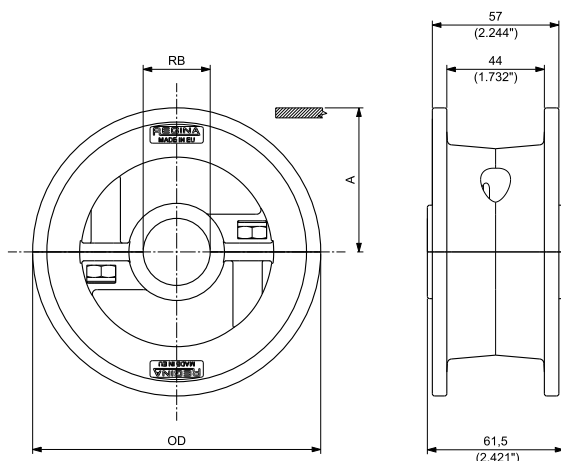


## MATERIALS

SPROCKETS: **PGF** REINFORCED POLYAMIDE

SCREWS: **SS** STAINLESS STEEL

NUTS: **ZN** ZINC PLATED STEEL



## MOULDED SPLIT IDLER WHEELS

N. TEETH	OUTSIDE DIAMETER OD		WEARSTRIP POSITIONING A		BORESIZE*		PART NUMBER ROUND BORE RB IDLER	WEIGHT	
	mm	inch	mm	inch	mm	inch		Kg	lbs
21	129,80	5.110	64,90	2.555	25		CMTS048152125	0,33	0.72
					30		CMTS048152130	0,33	0.73
					35		CMTS048152135	0,31	0.68
					40		CMTS048152140	0,34	0.76
					45		CMTS048152145	0,31	0.69
					1		CMTS0481521254	0,33	0.72
					1½		CMTS0481521317	0,33	0.71
23	142,30	5.602	71,15	2.801	25		CMTS048152325	0,36	0.80
					30		CMTS048152330	0,37	0.81
					35		CMTS048152335	0,35	0.76
					40		CMTS048152340	0,38	0.84
					45		CMTS048152345	0,35	0.77
					1		CMTS0481523254	0,36	0.80
					1½		CMTS0481523317	0,36	0.79
25	154,70	6.091	77,35	3.045	25		CMTS048152525	0,40	0.89
					30		CMTS048152530	0,41	0.90
					35		CMTS048152535	0,39	0.85
					40		CMTS048152540	0,42	0.92
					45		CMTS048152545	0,39	0.86
					1		CMTS0481525254	0,40	0.89
					1½		CMTS0481525317	0,40	0.88

\*Diameter is indicated.

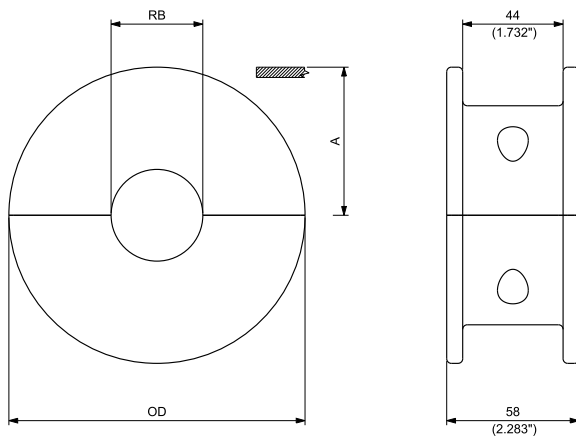


### MATERIALS

SPROCKETS:	<b>PA</b>	POLYAMIDE
SCREWS:	<b>SS</b>	STAINLESS STEEL
NUTS:	<b>B</b>	BRASS



### 17T & 19T IDLERWHEELS (for 21T, 23T & 25T seenext page)



ROUND BORE-IDLER

### MACHINED SPLIT IDLER WHEELS

N. TEETH	OUTSIDE DIAMETER OD		WEARSTRIP POSITIONING A		BORESIZE*		PART NUMBER ROUND BORE RB IDLER	WEIGHT	
	mm	inch	mm	inch	mm	inch		Kg	lbs
17	106,50	4.193	53,25	2.096	25		CMAS048151725	0,34	0.76
					30		CMAS048151730	0,33	0.73
					35		CMAS048151735	0,31	0.69
					40		CMAS048151740	0,29	0.65
					1		CMAS0481517254	0,34	0.76
					1 ¼		CMAS0481517317	0,32	0.71
					1 ⅜		CMAS0481517349	0,32	0.71
					1 ⅞		CMAS0481517365	0,31	0.69
					1 1/2		CMAS0481517381	0,30	0.66
					19	118,00	4.646	59,00	2.323
30		CMAS048151930	0,44	0.97					
35		CMAS048151935	0,42	0.93					
40		CMAS048151940	0,40	0.89					
1		CMAS0481519254	0,45	1.00					
1 ¼		CMAS0481519317	0,42	0.92					
1 ⅜		CMAS0481519349	0,42	0.92					
1 ⅞		CMAS0481519365	0,40	0.89					
1 1/2		CMAS0481519381	0,38	0.84					

\*Diameterisindicated.