

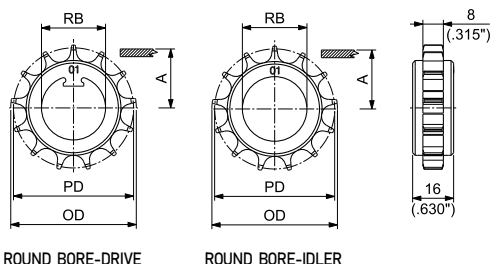
### SUITABLE FOR CHAINS:

- 4650
- HF 4650

### MATERIALS

SPROCKETS: **PA** POLYAMIDE

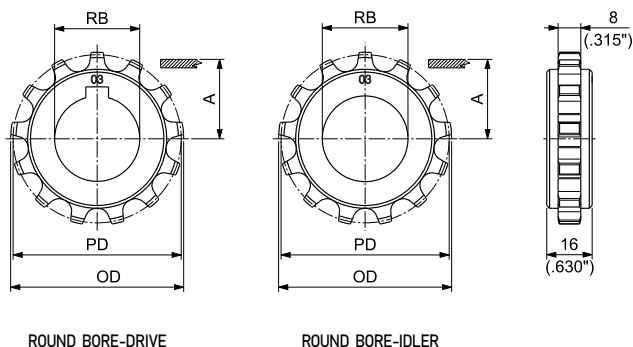
**NEW**



### MACHINED SOLID DRIVE AND IDLER SPROCKETS

N. TEETH	BORESIZE mm	PITCH DIAMETER PD		OUTSIDE DIAMETER OD		WEAR STRIP POSITIONING A		REFERENCE N.*	PART NUMBER ROUND BORE RB		WEIGHT	
		mm	inch	mm	inch	mm	inch		DRIVE	IDLER	Kg	lbs
13	30	46,86	1.844	49,0	1.929	19,07	0.751	01	MPBAT4650133001	MPBAF4650133001	0,01	0.022

\*Reference N. matches with the number marked in the pocket underneath the belt.  
For more detailed information, contact REGINA Technical Department.



### MACHINED SOLID DRIVE AND IDLER SPROCKETS

N. TEETH	BORESIZE mm	PITCH DIAMETER PD		OUTSIDE DIAMETER OD		WEAR STRIP POSITIONING A		REFERENCE N.*	PART NUMBER ROUND BORE RB		WEIGHT	
		mm	inch	mm	inch	mm	inch		DRIVE	IDLER	Kg	lbs
13	30	53,06	2.089	55,0	2.165	22,16	0.872	02	MPBAT4650133002	MPBAF4650133002	0,02	0.044
		59,26	2.333	61,0	2.402	25,26	0.994	03	MPBAT4650133003	MPBAF4650133003	0,03	0.066
		65,46	2.577	67,0	2.638	28,36	1.117	04	MPBAT4650133004	MPBAF4650133004	0,04	0.088
		71,65	2.821	73,0	2.874	31,45	1.238	05	MPBAT4650133005	MPBAF4650133005	0,05	0.110
		77,85	3.065	79,5	3.130	34,55	1.360	06	MPBAT4650133006	MPBAF4650133006	0,07	0.154
		84,03	3.308	85,5	3.366	37,64	1.482	07	MPBAT4650133007	MPBAF4650133007	0,08	0.176
		90,26	3.554	92,0	3.622	40,75	1.604	08	MPBAT4650133008	MPBAF4650133008	0,09	0.198
		96,44	3.797	98,5	3.878	43,84	1.726	09	MPBAT4650133009	MPBAF4650133009	0,11	0.243
		102,63	4.041	104,5	4.114	46,93	1.848	10	MPBAT4650133010	MPBAF4650133010	0,12	0.265

\*Reference N. matches with the number marked in the pocket underneath the belt.  
For more detailed information, contact REGINA Technical Department.