



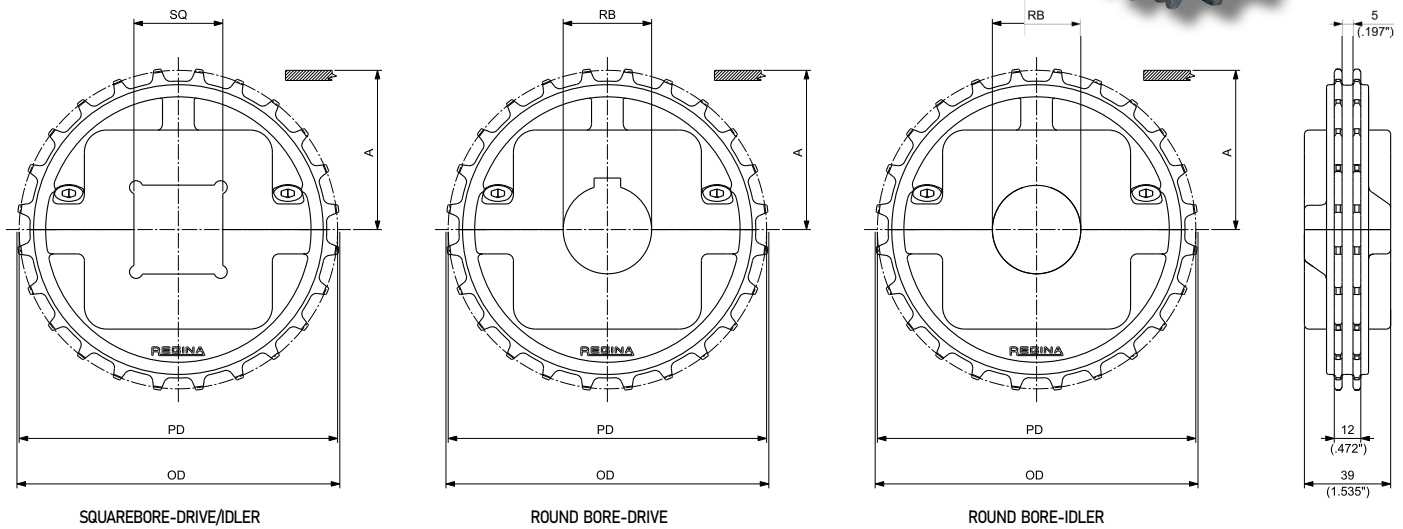
### SUITABLE FOR CHAINS:

- 7200
- 7300

MATERIALS	
SPROCKETS:	<b>PGF</b> REINFORCED POLYAMIDE
SCREW:	<b>SS</b> STAINLESS STEEL
NUTS:	<b>S+ZN</b> ZINC PLATED STEEL



### 24T & 25T SPROCKETS (for 27T seenext page)



### MOULDED SPLIT DRIVE AND IDLER SPROCKETS

N. TEETH	PITCH DIAMETER PD		OUTSIDE DIAMETER OD		WEARSTRIP POSITIONING A		BORESIZE*		PART NUMBER			WEIGHT		
	mm	inch	mm	inch	mm	inch	mm	inch**	SQUARE BORE SQ DRIVE/IDLER	ROUND BORE RB DRIVE	ROUND BORE RB IDLER	Kg	lbs	
24	145,95	5.746	146,00	5.748	68,60	2.701				MPBST73002430	MPBSF73002430	0,41	0.91	
										MPBST73002435	MPBSF73002435	0,41	0.90	
									MPBSQ73002440	MPBST73002440	MPBSF73002440	0,40	0.88	
										MPBST73002445	MPBSF73002445	0,39	0.86	
									MPBSQ73002450	MPBST73002450	MPBSF73002450	0,38	0.83	
										MPBST73002460	MPBSF73002460	0,35	0.78	
									1	MPBSQ730024254	MPBST730024254	MPBSF730024254	0,42	0.93
									1 3/16		MPBST730024301	MPBSF730024301	0,41	0.91
									1 1/4		MPBST730024317	MPBSF730024317	0,41	0.91
									1 7/16		MPBST730024365	MPBSF730024365	0,40	0.89
25	152,99	6.023	152,00	5.984	71,70	2.823				MPBST730024381	MPBSF730024381	0,40	0.88	
										MPBSQ730024508	MPBST730024508	MPBSF730024508	0,38	0.83
										MPBSQ730024635	MPBST730024635	MPBSF730024635	0,34	0.76
										MPBST73002530	MPBSF73002530	0,43	0.94	
										MPBST73002535	MPBSF73002535	0,42	0.93	
									MPBSQ73002540	MPBST73002540	MPBSF73002540	0,41	0.91	
										MPBST73002545	MPBSF73002545	0,40	0.89	
									MPBSQ73002550	MPBST73002550	MPBSF73002550	0,39	0.86	
										MPBST73002560	MPBSF73002560	0,37	0.81	
									1	MPBSQ730025254	MPBST730025254	MPBSF730025254	0,43	0.96
1 3/16		MPBST730025301	MPBSF730025301	0,43	0.94									
1 1/4		MPBST730025317	MPBSF730025317	0,43	0.94									
1 7/16		MPBST730025365	MPBSF730025365	0,42	0.92									
1 1/2	MPBSQ730025381	MPBST730025381	MPBSF730025381	0,42	0.92									
2	MPBSQ730025508	MPBST730025508	MPBSF730025508	0,39	0.86									
2 1/2	MPBSQ730025635	MPBST730025635	MPBSF730025635	0,36	0.79									

\*In case of round bore, diameter is indicated. In case of square bore, side of the square is indicated.

\*\* Imperial round bore drive sprockets are supplied with setscrew. Metric round bore drive sprockets are supplied without setscrew.

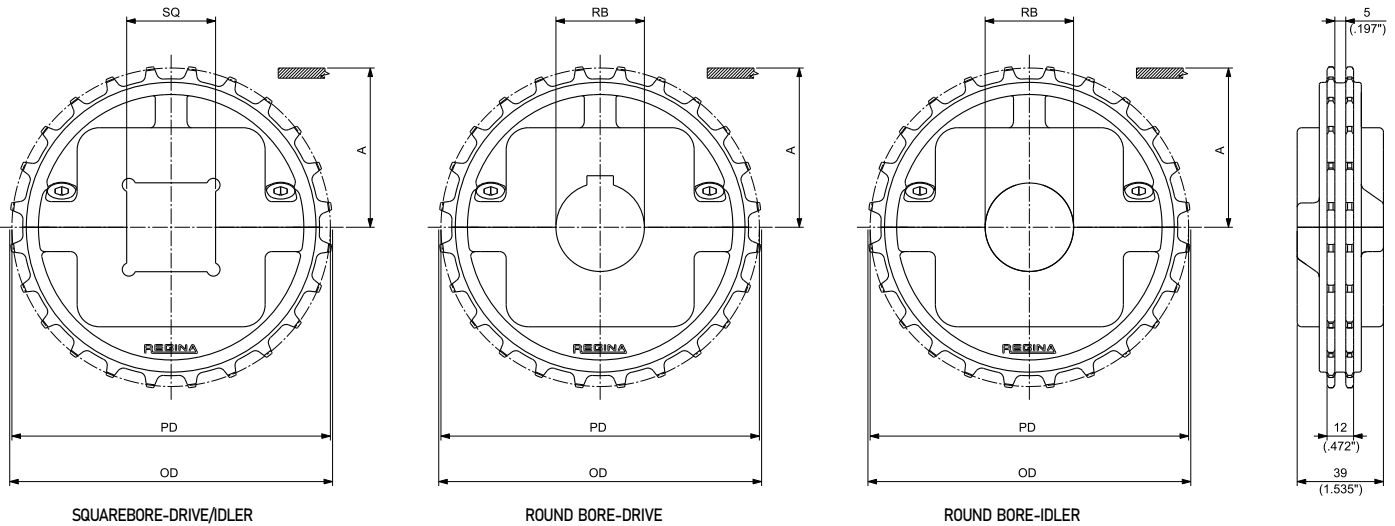


**SUITABLE FOR CHAINS:**  
 • 7200  
 • 7300

MATERIALS	
SPROCKETS:	<b>PGF</b> REINFORCED POLYAMIDE
SCREW:	<b>SS</b> STAINLESS STEEL
NUTS:	<b>S+ZN</b> ZINC PLATED STEEL



**27T SPROCKET**  
 (for 24T & 25T see previous page)



**MOULDED SPLIT DRIVE AND IDLER SPROCKETS**

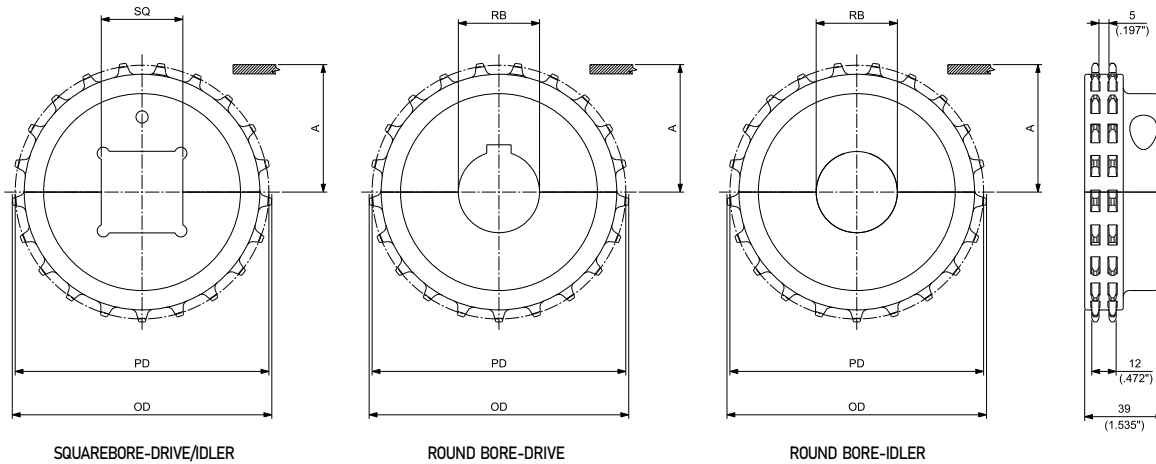
N. TEETH	PITCH DIAMETER PD		OUTSIDE DIAMETER OD		WEAR STRIP POSITIONING A		BORESIZE*		PART NUMBER			WEIGHT	
	mm	inch	mm	inch	mm	inch	mm	inch**	SQUARE BORE SQ	ROUND BORE RB		Kg	lbs
	DRIVE/IDLER		DRIVE		IDLER								
27	164,09	6.460	164,20	6.465	77,70	3.059				MPBST73002730	MPBSF73002730	0,46	1.01
										MPBST73002735	MPBSF73002735	0,45	0.99
		MPBSQ73002740	MPBST73002740	MPBSF73002740	0,44	0.97							
			MPBST73002745	MPBSF73002745	0,43	0.95							
		MPBSQ73002750	MPBST73002750	MPBSF73002750	0,42	0.93							
			MPBST73002760	MPBSF73002760	0,40	0.87							
			MPBSQ730027254	MPBST730027254	MPBSF730027254	0,46	1.02						
			MPBST730027301	MPBSF730027301	0,46	1.01							
			MPBST730027317	MPBSF730027317	0,46	1.01							
			MPBST730027365	MPBSF730027365	0,45	0.99							
			MPBSQ730027381	MPBST730027381	MPBSF730027381	0,45	0.98						
			MPBSQ730027508	MPBST730027508	MPBSF730027508	0,42	0.93						
			MPBSQ730027635	MPBST730027635	MPBSF730027635	0,39	0.85						

\*In case of round bore, diameter is indicated. In case of square bore, side of the square is indicated.  
 \*\* Imperial round bore drive sprockets are supplied with setscrew. Metric round bore drive sprockets are supplied without setscrew.

### SUITABLE FOR CHAINS:

- 7200
- 7300

MATERIALS	
SPROCKETS:	<b>PA</b> POLYAMIDE
SCREWS:	<b>SS</b> STAINLESS STEEL
NUTS:	<b>B</b> BRASS



### MACHINED SPLIT DRIVE AND IDLER SPROCKETS

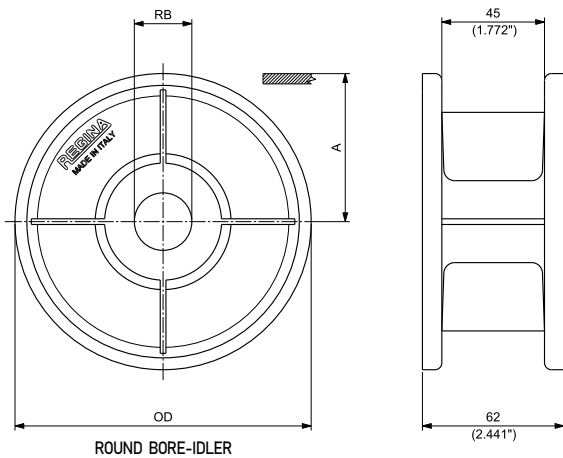
N. TEETH	PITCH DIAMETER PD		OUTSIDE DIAMETER OD		WEARSTRIP POSITIONING A		BORESIZE*		PART NUMBER			WEIGHT	
	mm	inch	mm	inch	mm	inch	mm	inch**	SQUARE BORE SQ DRIVE/IDLER	ROUND BORE RB DRIVE	ROUND BORE RB IDLER	Kg	lbs
17	103,67	4.081	103,60	4.079	47,50	1.870				MPBAST73001725	MPBASQ73001725	0,25	0.54
										MPBAST73001730	MPBASQ73001730	0,24	0.52
										MPBAST73001735	MPBASQ73001735	0,23	0.50
										MPBAST73001740	MPBASQ73001740	0,21	0.47
									1	MPBAST730017254	MPBASQ730017254	0,25	0.54
									1 3/16	MPBAST730017301	MPBASQ730017301	0,24	0.52
									1 1/4	MPBAST730017317	MPBASQ730017317	0,23	0.52
									1 3/8	MPBAST730017349	MPBASQ730017349	0,23	0.50
									1 7/16	MPBAST730017365	MPBASQ730017365	0,22	0.49
									1 1/2	MPBAST730017381	MPBASQ730017381	0,22	0.48
21	127,82	5.032	127,90	5.035	59,60	2.346				MPBAST73002125	MPBASQ73002125	0,42	0.92
										MPBAST73002130	MPBASQ73002130	0,41	0.90
										MPBAST73002135	MPBASQ73002135	0,40	0.88
										MPBAST73002140	MPBASQ73002140	0,39	0.85
										MPBAST73002145	MPBASQ73002145	0,37	0.82
										MPBAST73002150	MPBASQ73002150	0,35	0.78
										MPBAST73002160	MPBASQ73002160	0,32	0.69
									1	MPBAST730021254	MPBASQ730021254	0,42	0.92
									1 3/16	MPBAST730021301	MPBASQ730021301	0,41	0.90
									1 1/4	MPBAST730021317	MPBASQ730021317	0,41	0.90
									1 3/8	MPBAST730021349	MPBASQ730021349	0,40	0.88
									1 7/16	MPBAST730021365	MPBASQ730021365	0,39	0.87
									1 1/2	MPBAST730021381	MPBASQ730021381	0,39	0.86
2	MPBAST730021508	MPBASQ730021508	0,35	0.77									

\*In case of round bore, diameter is indicated. In case of square bore, side of the square is indicated.

\*\* Imperial round bore drive sprockets are supplied with setscrew. Metric round bore drive sprockets are supplied without setscrew.

## MATERIALS

SPROCKETS: **PGF** REINFORCED POLYAMIDE



## MOULDED SOLID IDLER WHEELS

N. TEETH	OUTSIDE DIAMETER OD		WEAR STRIP POSITIONING A		BORESIZE*		PART NUMBER ROUND BORE RB IDLER	WEIGHT	
	mm	inch	mm	inch	mm	inch		Kg	lbs
21	129,80	5.110	64,90	2.555	25		CMT032502101	0,22	0.48
					30		CMT032502102	0,22	0.49
					35		CMT032502103	0,22	0.49
					40		CMT032502104	0,20	0.44
					1		CMT032502106	0,22	0.49
					1 ¼		CMT032502108	0,21	0.47
					1 ⅜		CMT032502111	0,21	0.47
					1 ⅞		CMT032502109	0,20	0.44
23	142,30	5.602	71,15	2.801	25		CMT032502301	0,25	0.54
					30		CMT032502302	0,25	0.55
					35		CMT032502303	0,24	0.53
					40		CMT032502304	0,24	0.54
					1		CMT032502306	0,24	0.54
					1 ¼		CMT032502308	0,24	0.53
					1 ⅜		CMT032502311	0,24	0.53
					1 ⅞		CMT032502309	0,24	0.53
25	154,70	6.091	77,35	3.045	25		CMT032502501	0,30	0.65
					30		CMT032502502	0,30	0.66
					35		CMT032502503	0,29	0.64
					40		CMT032502504	0,28	0.62
					1		CMT032502506	0,30	0.65
					1 ¼		CMT032502508	0,29	0.64
					1 ⅜		CMT032502511	0,29	0.64
					1 ⅞		CMT032502509	0,29	0.64
				1 1/2		CMT032502510	0,28	0.61	

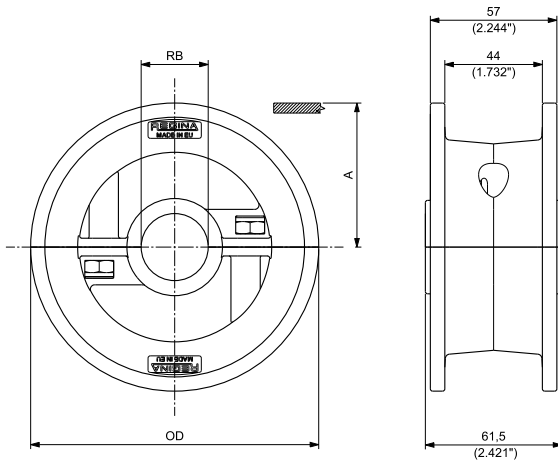
\*Diameter is indicated.

### MATERIALS

SPROCKETS: **PGF** REINFORCED POLYAMIDE

SCREWS: **SS** STAINLESS STEEL

NUTS: **ZN** ZINC PLATED STEEL



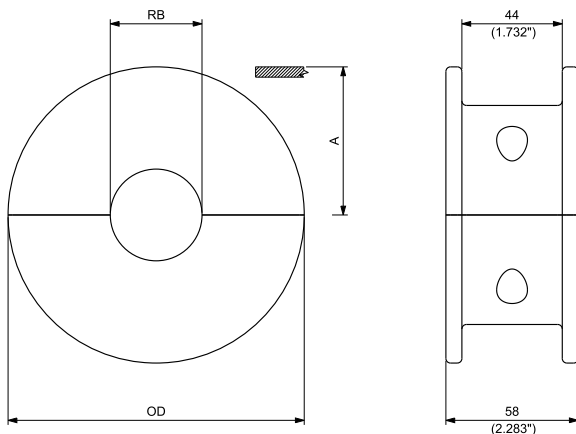
### MOULDED SPLIT IDLER WHEELS

N. TEETH	OUTSIDE DIAMETER OD		WEARSTRIP POSITIONING A		BORESIZE*		PART NUMBER ROUND BORE RB IDLER	WEIGHT		
	mm	inch	mm	inch	mm	inch		Kg	lbs	
21	129,80	5.110	64,90	2.555						
							25	CMTS048152125	0,33	0.72
							30	CMTS048152130	0,33	0.73
							35	CMTS048152135	0,31	0.68
							40	CMTS048152140	0,34	0.76
							45	CMTS048152145	0,31	0.69
							1	CMTS0481521254	0,33	0.72
	1½	CMTS0481521317	0,33	0.71						
23	142,30	5.602	71,15	2.801						
							25	CMTS048152325	0,36	0.80
							30	CMTS048152330	0,37	0.81
							35	CMTS048152335	0,35	0.76
							40	CMTS048152340	0,38	0.84
							45	CMTS048152345	0,35	0.77
							1	CMTS0481523254	0,36	0.80
	1½	CMTS0481523317	0,36	0.79						
25	154,70	6.091	77,35	3.045						
							25	CMTS048152525	0,40	0.89
							30	CMTS048152530	0,41	0.90
							35	CMTS048152535	0,39	0.85
							40	CMTS048152540	0,42	0.92
							45	CMTS048152545	0,39	0.86
							1	CMTS0481525254	0,40	0.89
	1½	CMTS0481525317	0,40	0.88						

\*Diameter is indicated.

### MATERIALS

SPROCKETS:	<b>PA</b>	POLYAMIDE
SCREWS:	<b>SS</b>	STAINLESS STEEL
NUTS:	<b>B</b>	BRASS



ROUND BORE-IDLER

### MACHINED SPLIT IDLER WHEELS

N. TEETH	OUTSIDE DIAMETER OD		WEAR STRIP POSITIONING A		BORESIZE*		PART NUMBER ROUND BORE RB IDLER	WEIGHT	
	mm	inch	mm	inch	mm	inch		Kg	lbs
17	106,50	4.193	53,25	2.096	25		CMAS048151725	0,34	0.76
					30		CMAS048151730	0,33	0.73
					35		CMAS048151735	0,31	0.69
					40		CMAS048151740	0,29	0.65
					1		CMAS0481517254	0,34	0.76
					1 1/4		CMAS0481517317	0,32	0.71
					1 3/8		CMAS0481517349	0,32	0.71
					1 7/16		CMAS0481517365	0,31	0.69
					1 1/2		CMAS0481517381	0,30	0.66
					19	118,00	4.646	59,00	2.323
30		CMAS048151930	0,44	0.97					
35		CMAS048151935	0,42	0.93					
40		CMAS048151940	0,40	0.89					
1		CMAS0481519254	0,45	1.00					
1 1/4		CMAS0481519317	0,42	0.92					
1 3/8		CMAS0481519349	0,42	0.92					
1 7/16		CMAS0481519365	0,40	0.89					
1 1/2		CMAS0481519381	0,38	0.84					

\*Diameter is indicated.