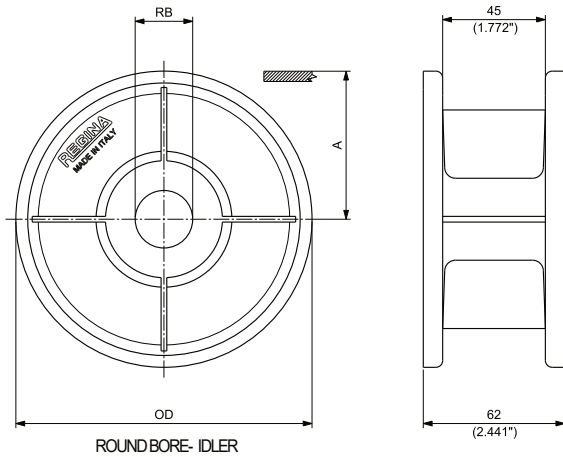


SUITABLE FOR CHAINS:

- 915 / PHD915
- PHDG915
- 881
- 981 / 981M / PHD981M
- PHDG981M
- 820
- HFX820
- 831
- 828
- 880 / 880M RG
- 879

MATERIALS

SPROCKETS: **PGF** REINFORCEDPOLYAMIDE



MOULDED SOLID IDLER WHEELS

N. TEETH	OUTSIDE DIAMETER OD		WEARSTRIP POSITIONING A		BORESIZE*		PART NUMBER ROUND BORE RB IDLER	WEIGHT	
	mm	inch	mm	inch	mm	inch		Kg	lbs
21	129,80	5.110	64,90	2.555	25		CMT032502101	0,22	0.48
					30		CMT032502102	0,22	0.49
					35		CMT032502103	0,22	0.49
					40		CMT032502104	0,20	0.44
					1		CMT032502106	0,22	0.49
					1 ¼		CMT032502108	0,21	0.47
					1 ⅜		CMT032502111	0,21	0.47
					1 ⅞		CMT032502109	0,20	0.44
					1 1/2		CMT032502110	0,22	0.49
					23	142,30	5.602	71,15	2.801
30		CMT032502302	0,25	0.55					
35		CMT032502303	0,24	0.53					
40		CMT032502304	0,24	0.54					
1		CMT032502306	0,24	0.54					
1 ¼		CMT032502308	0,24	0.53					
1 ⅜		CMT032502311	0,24	0.53					
1 ⅞		CMT032502309	0,24	0.53					
1 1/2		CMT032502310	0,25	0.55					
25	154,70	6.091	77,35	3.045					
					30		CMT032502502	0,30	0.66
					35		CMT032502503	0,29	0.64
					40		CMT032502504	0,28	0.62
					1		CMT032502506	0,30	0.65
					1 ¼		CMT032502508	0,29	0.64
					1 ⅜		CMT032502511	0,29	0.64
					1 ⅞		CMT032502509	0,29	0.64
					1 1/2		CMT032502510	0,28	0.61

*Diameter is indicated.

SUITABLE FOR CHAINS:

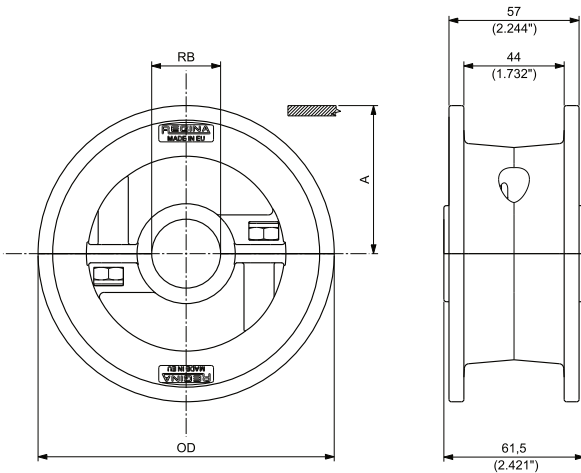
- 915 / PHD915
- PHDG915
- 881
- 981 / 981M / PHD981M
- PHDG981M
- 820
- HFX820
- 831

MATERIALS

SPROCKETS: **PGF** REINFORCED POLYAMIDE

SCREWS: **SS** STAINLESS STEEL

NUTS: **S+ZN** ZINC PLATED STEEL



ROUND BORE- IDLER

MOULDED SPLIT IDLER WHEELS

N. TEETH	OUTSIDE DIAMETER OD		WEAR STRIP POSITIONING A		BORESIZE*		PART NUMBER ROUND BORE RB IDLER	WEIGHT	
	mm	inch	mm	inch	mm	inch		Kg	lbs
21	129,80	5.110	64,90	2.555	25		CMTS048152125	0,33	0.72
					30		CMTS048152130	0,33	0.73
					35		CMTS048152135	0,31	0.68
					40		CMTS048152140	0,34	0.76
					45		CMTS048152145	0,31	0.69
					1		CMTS0481521254	0,33	0.72
					1 ¼		CMTS0481521317	0,32	0.71
23	142,30	5.602	71,15	2.801	25		CMTS048152325	0,36	0.80
					30		CMTS048152330	0,37	0.81
					35		CMTS048152335	0,35	0.76
					40		CMTS048152340	0,38	0.84
					45		CMTS048152345	0,35	0.77
					1		CMTS0481523254	0,36	0.80
					1 ¼		CMTS0481523317	0,36	0.79
25	154,70	6.091	77,35	3.045	25		CMTS048152525	0,40	0.89
					30		CMTS048152530	0,41	0.90
					35		CMTS048152535	0,39	0.85
					40		CMTS048152540	0,42	0.92
					45		CMTS048152545	0,39	0.86
					1		CMTS0481525254	0,40	0.89
					1 ¼		CMTS0481525317	0,40	0.88

*Diameter is indicated.

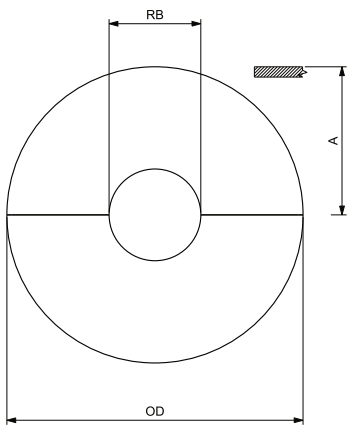
SUITABLE FOR CHAINS:

- 915 / PHD915
- PHDG915
- 881
- 981 / 981M / PHD981M
- PHDG981M
- 820
- HFX820
- 831
- 828
- 880 / 880M RG
- 879

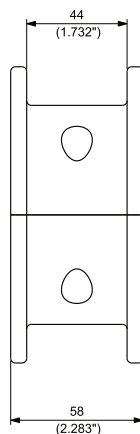
MATERIALS	
SPROCKETS:	PA POLYAMIDE
SCREWS:	SS STAINLESS STEEL
NUTS:	B BRASS

17T & 19T IDLERWHEELS

(for 21T, 23T & 25T see next page)



ROUND BORE- IDLER



MACHINED SPLIT IDLERWHEELS

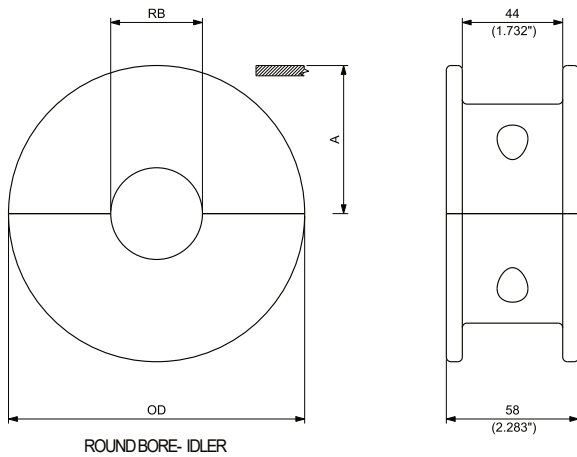
N. TEETH	OUTSIDE DIAMETER OD		WEAR STRIP POSITIONING A		BORESIZE*		PART NUMBER ROUND BORE RB IDLER	WEIGHT	
	mm	inch	mm	inch	mm	inch		Kg	lbs
17	106,50	4.193	53,25	2.096	25		CMAS048151725	0,34	0.76
					30		CMAS048151730	0,33	0.73
					35		CMAS048151735	0,31	0.69
					40		CMAS048151740	0,29	0.65
					1		CMAS0481517254	0,34	0.76
					1 ¼		CMAS0481517317	0,32	0.71
					1 ⅜		CMAS0481517349	0,32	0.71
					1 ⅞		CMAS0481517365	0,31	0.69
19	118,00	4.646	59,00	2.323	25		CMAS048151925	0,45	1.00
					30		CMAS048151930	0,44	0.97
					35		CMAS048151935	0,42	0.93
					40		CMAS048151940	0,40	0.89
					1		CMAS0481519254	0,45	1.00
					1 ¼		CMAS0481519317	0,42	0.92
					1 ⅜		CMAS0481519349	0,42	0.92
					1 ⅞		CMAS0481519365	0,40	0.89
				1 1/2		CMAS0481519381	0,38	0.84	

SUITABLE FOR CHAINS:

- 915 / PHD915
- PHDG915
- 881 / 981 / 981M / PHD981M
- PHDG981M
- 820 / HFX820
- 831
- 828
- 880 / 880M RG
- 879

MATERIALS	
SPROCKETS:	PA POLYAMIDE
SCREWS:	SS STAINLESS STEEL
NUTS:	B BRASS

21T, 23T & 25T IDLERWHEELS (for 17T & 19T see previous page)



MACHINED SPLIT IDLER WHEELS

N. TEETH	OUTSIDE DIAMETER		WEARSTRIP POSITIONING		BORESIZE*		PART NUMBER ROUND BORE RB IDLER	WEIGHT	
	mm	inch	mm	inch	mm	inch		Kg	lbs
21	129,80	5.110	64,90	2.555	25		CMAS048152125	0,58	1.27
					30		CMAS048152130	0,56	1.24
					35		CMAS048152135	0,54	1.20
					40		CMAS048152140	0,52	1.15
						1	CMAS0481521254	0,58	1.27
						1 ¼	CMAS0481521317	0,56	1.24
						1 ⅙	CMAS0481521365	0,54	1.20
						1 1/2	CMAS0481521381	0,53	1.17
23	142,30	5.602	71,15	2.801	25		CMAS048152325	0,72	1.58
					30		CMAS048152330	0,70	1.55
					35		CMAS048152335	0,69	1.51
					40		CMAS048152340	0,67	1.47
						1	CMAS0481523254	0,72	1.58
						1 ¼	CMAS0481523317	0,70	1.55
						1 ⅙	CMAS0481523365	0,69	1.51
						1 1/2	CMAS0481523381	0,67	1.49
25	154,70	6.091	77,35	3.045	25		CMAS048152525	0,87	1.92
					30		CMAS048152530	0,85	1.88
					35		CMAS048152535	0,84	1.85
					40		CMAS048152540	0,82	1.80
						1	CMAS0481525254	0,87	1.91
						1 ¼	CMAS0481525317	0,85	1.88
						1 ⅙	CMAS0481525365	0,84	1.85
						1 1/2	CMAS0481525381	0,83	1.82

*Diameter is indicated.

SUITABLE FOR CHAINS:

- 820
- HFX820
- 831

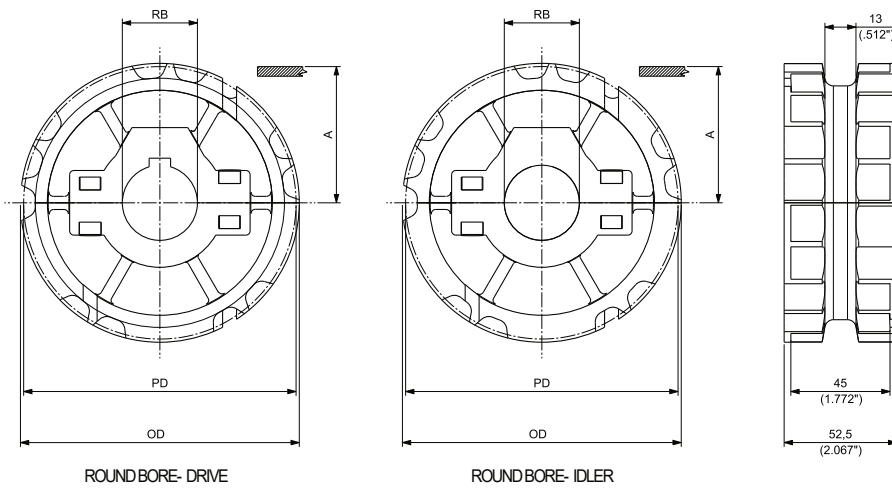
MATERIALS

SPROCKETS: **PGF** REINFORCED POLYAMIDE

SCREWS: **SS** STAINLESS STEEL

NUTS: **B+NC** NICKEL PLATED BRASS

19T & 21T SPROCKETS (for 23T & 25T see next page)



MOULDED SPLIT IDLER WHEELS



MOULDED SOLID IDLER WHEELS

MOULDED SPLIT DRIVE AND IDLER SPROCKETS

N. TEETH	PITCH DIAMETER PD		OUTSIDE DIAMETER OD		WEAR STRIP POSITIONING A		BORE SIZE*		PART NUMBER ROUND BORE RB		WEIGHT	
	mm	inch	mm	inch	mm	inch	mm	inch**	DRIVE	IDLER	Kg	lbs
19	117,34	4.620	117,00	4.606	61,67	2.428	25		CMT028201901	CMT038201901	0,36	0.79
							30		CMT028201902	CMT038201902	0,35	0.77
							35		CMT028201903	CMT038201903	0,34	0.75
							40		CMT028201904	CMT038201904	0,33	0.73
							45		CMT028201905	CMT038201905	0,22	0.49
							1		CMT028201906	CMT038201906	0,36	0.79
							1 1/4		CMT028201908	CMT038201908	0,35	0.77
							1 3/8		CMT028201911	CMT038201911	0,35	0.77
							1 7/16		CMT028201909	CMT038201909	0,34	0.75
							1 1/2		CMT028201910	CMT038201910	0,33	0.73
21	129,30	5.091	130,00	5.118	68,05	2.679	25		CMT028202101	CMT038202101	0,48	1.05
							30		CMT028202102	CMT038202102	0,47	1.03
							35		CMT028202103	CMT038202103	0,46	1.01
							40		CMT028202104	CMT038202104	0,45	0.98
							45		CMT028202105	CMT038202105	0,43	0.95
							1		CMT028202106	CMT038202106	0,48	1.05
							1 1/4		CMT028202108	CMT038202108	0,46	1.02
							1 3/8		CMT028202111	CMT038202111	0,46	1.02
							1 7/16		CMT028202109	CMT038202109	0,45	1.00
							1 1/2		CMT028202110	CMT038202110	0,45	0.99

*Diameter is indicated.

** Imperial round bore drive sprockets are supplied with setscrew. Metric round bore drive sprockets are supplied without setscrew.

SUITABLE FOR CHAINS:

- 820
- HFX820
- 831

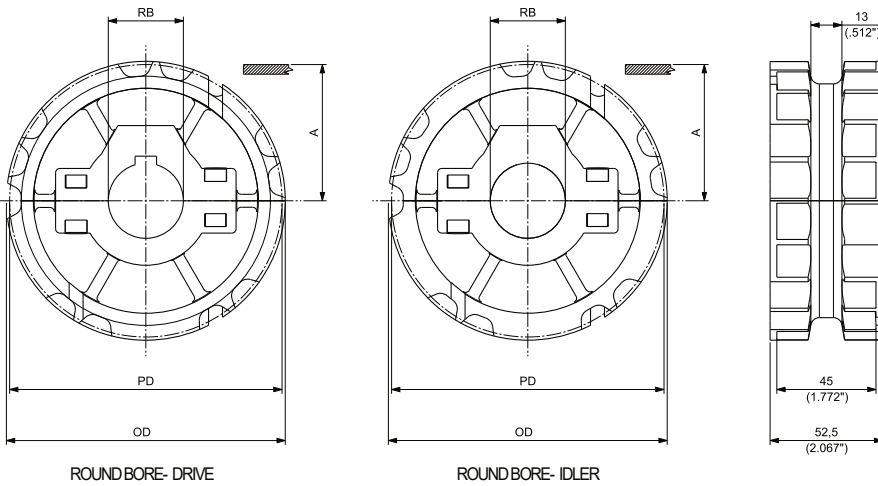
MATERIALS

SPROCKETS: **PGF** REINFORCED POLYAMIDE

SCREWS: **SS** STAINLESS STEEL

NUTS: **B+NC** NICKEL PLATED BRASS

23T & 25T SPROCKETS (for 19T & 21T see previous page)



MOULDED SPLIT IDLER WHEELS



MOULDED SOLID IDLER WHEELS

MOULDED SPLIT DRIVE AND IDLER SPROCKETS

N. TEETH	PITCH DIAMETER PD		OUTSIDE DIAMETER OD		WEAR STRIP POSITIONING A		BORE SIZE*		PART NUMBER ROUND BORE RB		WEIGHT	
	mm	inch	mm	inch	mm	inch	mm	inch**	DRIVE	IDLER	Kg	lbs
23	141,20	5.559	141,90	5.587	74,00	2.913	25		CMT028202301	CMT038202301	0,52	1.15
							30		CMT028202302	CMT038202302	0,51	1.13
							35		CMT028202303	CMT038202303	0,50	1.11
							40		CMT028202304	CMT038202304	0,49	1.08
							45		CMT028202305	CMT038202305	0,48	1.05
							1		CMT028202306	CMT038202306	0,52	1.15
							1 ¼		CMT028202308	CMT038202308	0,51	1.13
							1 ⅜		CMT028202311	CMT038202311	0,51	1.13
							1 ⅞		CMT028202309	CMT038202309	0,50	1.10
							1 1/2		CMT028202310	CMT038202310	0,50	1.09
25	153,20	6.031	154,20	6.071	80,00	3.150	25		CMT028202501	CMT038202501	0,57	1.26
							30		CMT028202502	CMT038202502	0,56	1.24
							35		CMT028202503	CMT038202503	0,55	1.22
							40		CMT028202504	CMT038202504	0,54	1.19
							45		CMT028202505	CMT038202505	0,53	1.16
							1		CMT028202506	CMT038202506	0,57	1.26
							1 ¼		CMT028202508	CMT038202508	0,56	1.23
							1 ⅜		CMT028202511	CMT038202511	0,56	1.23
							1 ⅞		CMT028202509	CMT038202509	0,55	1.21
							1 1/2		CMT028202510	CMT038202510	0,55	1.20

*Diameter is indicated.

** Imperial round bore drive sprockets are supplied with setscrew. Metric round bore drive sprockets are supplied without setscrew.

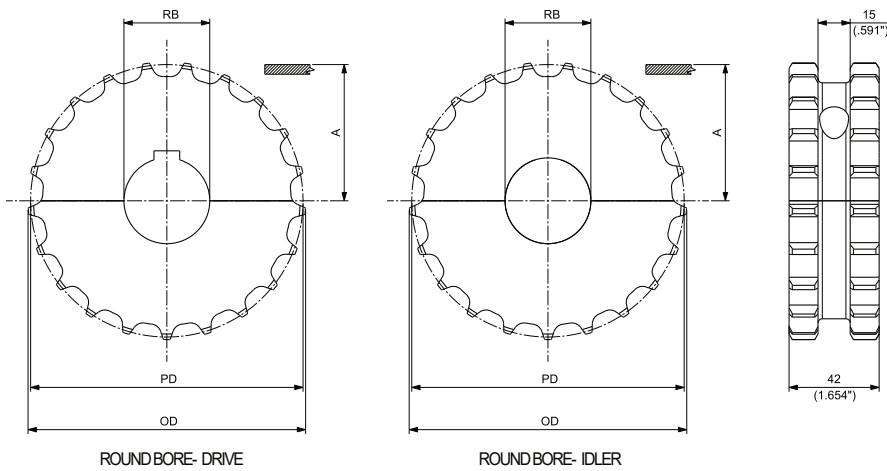


SUITABLE FOR CHAINS:

- 820
- HFX820
- 831

17T, 19T & 21T SPROCKETS (for 23T, 25T & 27T seenext page)

MATERIALS	
SPROCKETS:	PA POLYAMIDE
SCREWS:	SS STAINLESS STEEL
NUTS:	B BRASS



MACHINED SPLIT IDLERWHEELS

MACHINED SPLIT DRIVE AND IDLER SPROCKETS

N. TEETH	PITCH DIAMETER PD		OUTSIDE DIAMETER OD		WEAR STRIP POSITIONING A		BORESIZE*		PART NUMBER ROUND BORE RB		WEIGHT	
	mm	inch	mm	inch	mm	inch	mm	inch**	DRIVE	IDLER	Kg	lbs
17	105,47	4.152	104,40	4.110	55,94	2.202	25		CMAS028201725	CMAS038201725	0,34	0.75
							30		CMAS028201730	CMAS038201730	0,34	0.73
							35		CMAS028201735	CMAS038201735	0,32	0.70
							40		CMAS028201740	CMAS038201740	0,30	0.67
							1		CMAS0282017254	CMAS0382017254	0,34	0.75
							1 ¼		CMAS0282017317	CMAS0382017317	0,33	0.72
							1 ⅜		CMAS0282017349	CMAS0382017349	0,33	0.72
							1 ⅞		CMAS0282017365	CMAS0382017365	0,32	0.70
							1 1/2		CMAS0282017381	CMAS0382017381	0,31	0.68
							19	117,34	4.620	117,00	4.606	61,87
30		CMAS028201930	CMAS038201930	0,42	0.92							
35		CMAS028201935	CMAS038201935	0,40	0.89							
40		CMAS028201940	CMAS038201940	0,39	0.86							
1		CMAS0282019254	CMAS0382019254	0,43	0.94							
1 ¼		CMAS0282019317	CMAS0382019317	0,43	0.94							
1 ⅜		CMAS0282019349	CMAS0382019349	0,42	0.92							
1 ⅞		CMAS0282019365	CMAS0382019365	0,40	0.88							
1 1/2		CMAS0282019381	CMAS0382019381	0,36	0.79							
21	129,26	5.089	129,40	5.094	68,83	2.710						
							30		CMAS028202130	CMAS038202130	0,52	1.14
							35		CMAS028202135	CMAS038202135	0,51	1.11
							40		CMAS028202140	CMAS038202140	0,49	1.08
							1		CMAS0282021254	CMAS0382021254	0,53	1.16
							1 ¼		CMAS0282021317	CMAS0382021317	0,53	1.16
							1 ⅜		CMAS0282021349	CMAS0382021349	0,52	1.14
							1 ⅞		CMAS0282021365	CMAS0382021365	0,51	1.11
							1 1/2		CMAS0282021381	CMAS0382021381	0,50	1.10

*Diameter isindicated.

** Imperial round bore drive sprocketsare supplied with setscrew.Metric round bore drive sprocketsare supplied without setscrew.

SUITABLE FOR CHAINS:

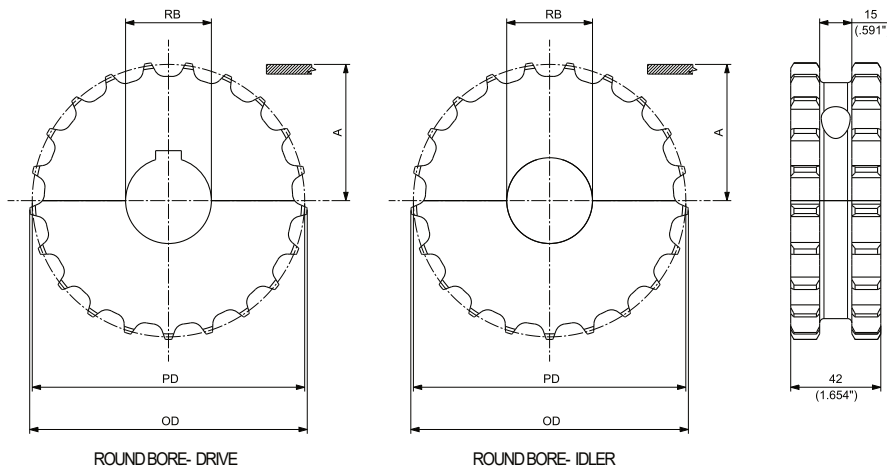
- 820
- HFX820
- 831

MATERIALS

SPROCKETS:	PA	POLYAMIDE
SCREWS:	SS	STAINLESS STEEL
NUTS:	B	BRASS

23T, 25T & 27T SPROCKETS

(for 17T, 19T & 21T see previous page)



MACHINED SPLIT IDLER WHEELS

MACHINED SPLIT DRIVE AND IDLER SPROCKETS

N. TEETH	PITCH DIAMETER PD		OUTSIDE DIAMETER OD		WEAR STRIP POSITIONING A		BORE SIZE*		PART NUMBER ROUND BORE RB		WEIGHT	
	mm	inch	mm	inch	mm	inch	mm	inch**	DRIVE	IDLER	Kg	lbs
23	141,22	5.560	141,90	5.587	73,81	2.906	25		CMAS028202325	CMAS038202325	0,63	1.39
							30		CMAS028202330	CMAS038202330	0,62	1.37
							35		CMAS028202335	CMAS038202335	0,61	1.34
							40		CMAS028202340	CMAS038202340	0,59	1.31
							1		CMAS0282023254	CMAS0382023254	0,63	1.39
							1 ¼		CMAS0282023317	CMAS0382023317	0,63	1.39
							1 ⅜		CMAS0282023349	CMAS0382023349	0,62	1.37
25	153,20	6.031	154,20	6.071	79,80	3.142	25		CMAS028202525	CMAS038202525	0,78	1.72
							30		CMAS028202530	CMAS038202530	0,77	1.69
							35		CMAS028202535	CMAS038202535	0,76	1.67
							40		CMAS028202540	CMAS038202540	0,74	1.63
							1		CMAS0282025254	CMAS0382025254	0,78	1.71
							1 ¼		CMAS0282025317	CMAS0382025317	0,78	1.71
							1 ⅜		CMAS0282025349	CMAS0382025349	0,77	1.69
27	165,21	6.504	166,40	6.551	85,81	3.378	25		CMAS028202725	CMAS038202725	0,92	2.02
							30		CMAS028202730	CMAS038202730	0,91	2.03
							35		CMAS028202735	CMAS038202735	0,90	1.97
							40		CMAS028202740	CMAS038202740	0,88	1.94
							1		CMAS0282027254	CMAS0382027254	0,92	2.03
							1 ¼		CMAS0282027317	CMAS0382027317	0,92	2.03
							1 ⅜		CMAS0282027349	CMAS0382027349	0,91	2.03
1 ⅞		CMAS0282027365	CMAS0382027365	0,90	1.97							
1 1/2		CMAS0282027381	CMAS0382027381	0,88	1.94							

*Diameter is indicated.

** Imperial round bore drive sprockets are supplied with setscrew. Metric round bore drive sprockets are supplied without setscrew.