

### SUITABLE FOR CHAINS:

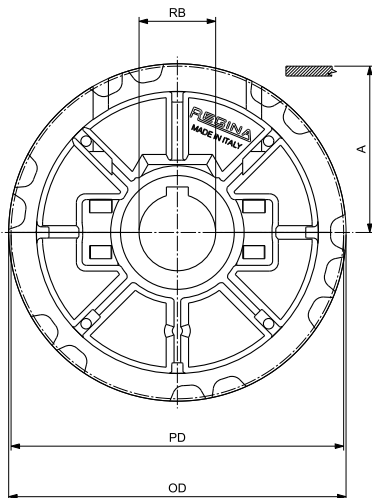
- 2815 / PHD 2815
- PHDG2815

### MATERIALS

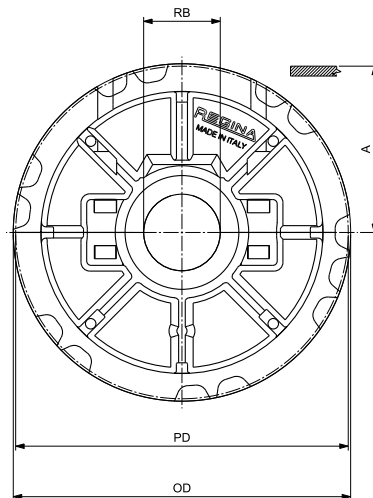
SPROCKETS: **PGF** REINFORCED POLYAMIDE

SCREWS: **SS** STAINLESS STEEL

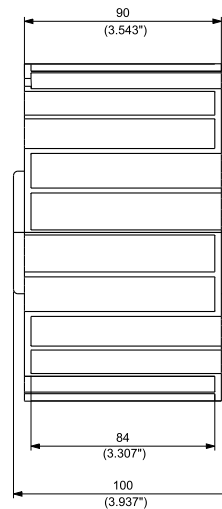
NUTS: **B+NC** NICKEL PLATED BRASS



ROUND BORE- DRIVE



ROUND BORE- IDLER



### MOULDED SPLIT DRIVE AND IDLER SPROCKETS

N. TEETH	PITCH DIAMETER PD		OUTSIDE DIAMETER OD		WEAR STRIP POSITIONING A		BORE SIZE*		PART NUMBER ROUND BORE RB		WEIGHT	
	mm	inch	mm	inch	mm	inch	mm	inch**	DRIVE	IDLER	Kg	lbs
25	153,20	6.031	154,20	6.071	80,00	3.150	30		CMT022802502	CMT032802502	1,05	2.30
							35		CMT022802503	CMT032802503	1,03	2.27
							40		CMT022802504	CMT032802504	1,01	2.22
							45		CMT022802505	CMT032802505	0,98	2.16
								1 1/4	CMT022802508	CMT032802508	1,04	2.29
								1 3/8	CMT022802511	CMT032802511	1,03	2.27
								1 7/16	CMT022802509	CMT032802509	1,02	2.25
	1 1/2	CMT022802510	CMT032802510	1,01	2.24							

\*Diameter is indicated.

\*\* Imperial round bore drive sprockets are supplied with setscrew. Metric round bore drive sprockets are supplied without setscrew.

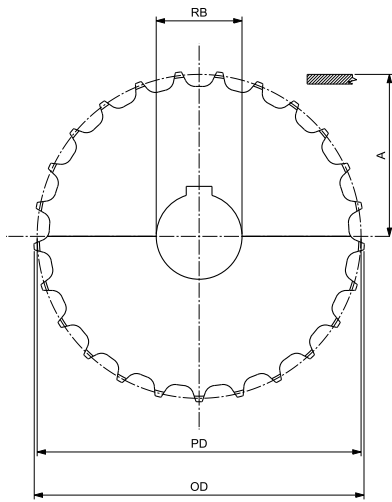


### SUITABLE FOR CHAINS:

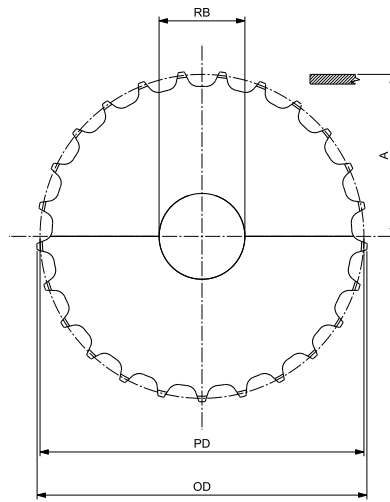
- 2815 / PHD2815
- PHDG2815
- 821
- HFX821
- LBP821

MATERIALS	
SPROCKETS:	<b>PA</b> POLYAMIDE
SCREWS:	<b>SS</b> STAINLESS STEEL
NUTS:	<b>B</b> BRASS

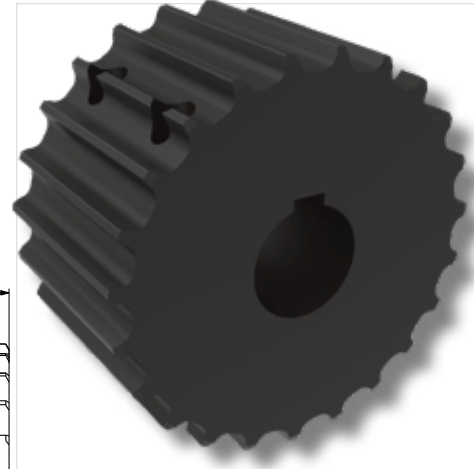
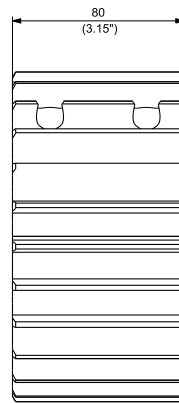
### 19T, 21T & 23T SPROCKETS (for 25T, 27T & 29T seenext page)



ROUND BORE- DRIVE



ROUND BORE- IDLER



### MACHINED SPLIT DRIVE AND IDLER SPROCKETS

N. TEETH	PITCH DIAMETER PD		OUTSIDE DIAMETER OD		WEARSTRIP POSITIONING A		BORESIZE*		PART NUMBER ROUND BORE RB		WEIGHT	
	mm	inch	mm	inch	mm	inch	mm	inch**	DRIVE	IDLER	Kg	lbs
19	117,34	4.620	117,00	4.606	62,27	2.452	1		CMAS0228151925	CMAS0328151925	0,87	1.92
									CMAS0228151930	CMAS0328151930	0,85	1.88
									CMAS0228151935	CMAS0328151935	0,83	1.83
									CMAS0228151940	CMAS0328151940	0,80	1.77
									CMAS02281519254	CMAS03281519254	0,87	1.92
									CMAS02281519317	CMAS03281519317	0,87	1.92
21	129,26	5.089	129,40	5.094	68,23	2.686	1		CMAS02281519349	CMAS03281519349	0,85	1.88
									CMAS02281519365	CMAS03281519365	0,82	1.81
									CMAS02281519381	CMAS03281519381	0,74	1.64
									CMAS0228152125	CMAS0328152125	1,07	2.36
									CMAS0228152130	CMAS0328152130	1,04	2.29
									CMAS0228152135	CMAS0328152135	1,01	2.23
23	141,22	5.560	141,90	5.587	74,21	2.922	1		CMAS0228152140	CMAS0328152140	0,99	2.17
									CMAS02281521254	CMAS03281521254	1,06	2.33
									CMAS02281521317	CMAS03281521317	1,06	2.33
									CMAS02281521349	CMAS03281521349	1,04	2.29
									CMAS02281521365	CMAS03281521365	0,99	2.17
									CMAS02281521381	CMAS03281521381	1,00	2.20
25	153,00	6.000	152,50	6.000	80,00	3.150	1		CMAS0228152325	CMAS0328152325	1,27	2.81
									CMAS0228152330	CMAS0328152330	1,25	2.76
									CMAS0228152335	CMAS0328152335	1,23	2.71
									CMAS0228152340	CMAS0328152340	1,17	2.58
									CMAS02281523254	CMAS03281523254	1,27	2.80
									CMAS02281523317	CMAS03281523317	1,27	2.80
30	165,10	6.500	164,50	6.500	86,25	3.413	1		CMAS0228152339	CMAS0328152339	1,25	2.76
									CMAS02281523365	CMAS03281523365	1,23	2.71
									CMAS02281523381	CMAS03281523381	1,21	2.68
									CMAS02281523254	CMAS03281523254	1,27	2.80
									CMAS02281523317	CMAS03281523317	1,27	2.80
									CMAS02281523349	CMAS03281523349	1,25	2.76

\*Diameter isindicated.

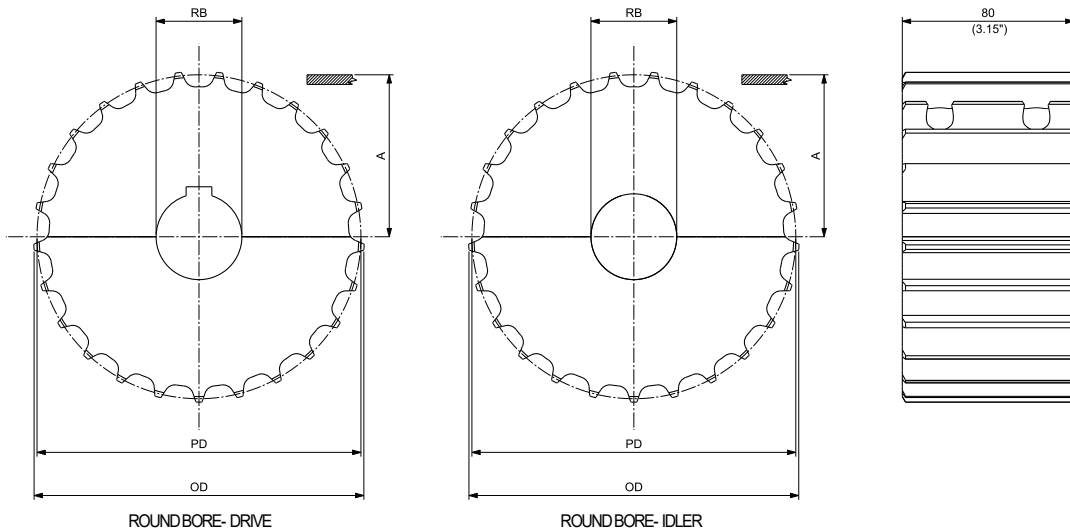
\*\* Imperial round bore drive sprocketsare supplied with setscrew.Metric round bore drive sprocketsare supplied without setscrew.

### SUITABLE FOR CHAINS:

- 2815 / PHD 2815
- PHDG 2815
- 821
- HFX 821
- LBP 821

MATERIALS	
SPROCKETS:	<b>PA</b> POLYAMIDE
SCREWS:	<b>SS</b> STAINLESS STEEL
NUTS:	<b>B</b> BRASS

### 25T, 27T & 29T SPROCKETS (for 19T, 21T & 23T see previous page)



### MACHINED SPLIT DRIVE AND IDLER SPROCKETS

N. TEETH	PITCH DIAMETER PD		OUTSIDE DIAMETER OD		WEAR STRIP POSITIONING A		BORESIZE*	PART NUMBER ROUND BORE RB		WEIGHT	
	mm	inch	mm	inch	mm	inch		DRIVE	IDLER	Kg	lbs
25	153,20	6.031	154,20	6.071	80,20	3.157	25	<b>CMAS0228152525</b>	<b>CMAS0328152525</b>	1,56	3.45
							30	<b>CMAS0228152530</b>	<b>CMAS0328152530</b>	1,54	3.41
							35	<b>CMAS0228152535</b>	<b>CMAS0328152535</b>	1,52	3.36
							40	<b>CMAS0228152540</b>	<b>CMAS0328152540</b>	1,49	3.29
							1	<b>CMAS02281525254</b>	<b>CMAS03281525254</b>	1,56	3.45
							1 ¼	<b>CMAS02281525317</b>	<b>CMAS03281525317</b>	1,54	3.41
							1 ⅜	<b>CMAS02281525349</b>	<b>CMAS03281525349</b>	1,54	3.41
							1 ⅞	<b>CMAS02281525365</b>	<b>CMAS03281525365</b>	1,52	3.36
27	165,21	6.504	166,40	6.551	86,21	3.394	25	<b>CMAS0228152725</b>	<b>CMAS0328152725</b>	1,82	4.00
							30	<b>CMAS0228152730</b>	<b>CMAS0328152730</b>	1,80	3.96
							35	<b>CMAS0228152735</b>	<b>CMAS0328152735</b>	1,77	3.91
							40	<b>CMAS0228152740</b>	<b>CMAS0328152740</b>	1,75	3.85
							1	<b>CMAS02281527254</b>	<b>CMAS03281527254</b>	1,81	4.00
							1 ¼	<b>CMAS02281527317</b>	<b>CMAS03281527317</b>	1,81	4.00
							1 ⅜	<b>CMAS02281527349</b>	<b>CMAS03281527349</b>	1,80	3.96
							1 ⅞	<b>CMAS02281527365</b>	<b>CMAS03281527365</b>	1,77	3.91
29	177,23	6.978	178,7	7.035	92,02	3.623	25	<b>CMAS0228152925</b>	<b>CMAS0328152925</b>	2,21	4.87
							30	<b>CMAS0228152930</b>	<b>CMAS0328152930</b>	2,19	4.83
							35	<b>CMAS0228152935</b>	<b>CMAS0328152935</b>	2,17	4.78
							40	<b>CMAS0228152940</b>	<b>CMAS0328152940</b>	2,14	4.72
							1	<b>CMAS02281529254</b>	<b>CMAS03281529254</b>	2,20	4.85
							1 ¼	<b>CMAS02281529317</b>	<b>CMAS03281529317</b>	2,19	4.83
							1 ⅜	<b>CMAS02281529349</b>	<b>CMAS03281529349</b>	2,17	4.78
							1 ⅞	<b>CMAS02281529365</b>	<b>CMAS03281529365</b>	2,14	4.72
						1 1/2	<b>CMAS02281529381</b>	<b>CMAS03281529381</b>	2,12	4.67	

\*Diameter is indicated.

\*\* Imperial round bore drive sprockets are supplied with setscrew. Metric round bore drive sprockets are supplied without setscrew.

### SUITABLE FOR CHAINS:

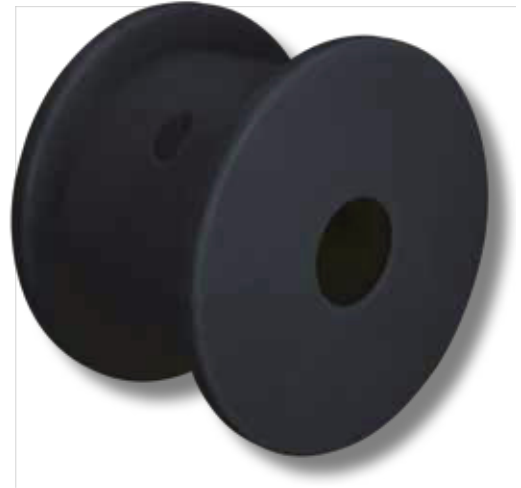
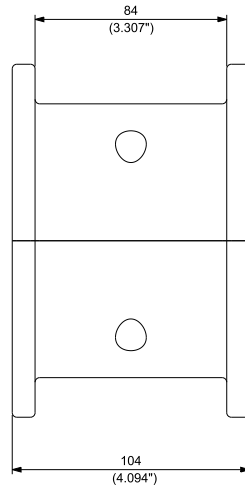
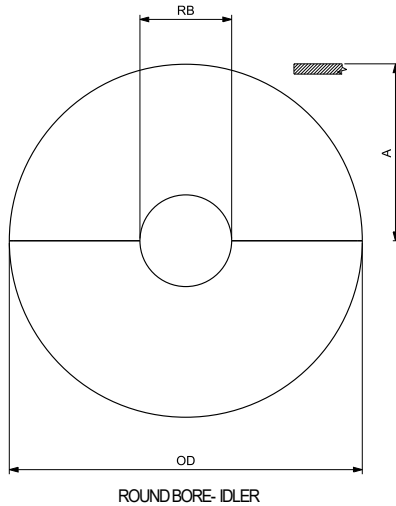
- 2815 / PHD 2815
- PHDG2815

### MATERIALS

SPROCKETS: **PA** POLYAMIDE

SCREWS: **SS** STAINLESS STEEL

NUTS: **B** BRASS



### MACHINED SPLIT IDLER WHEELS

N. TEETH	OUTSIDE DIAMETER OD		WEAR STRIP POSITIONING A		BORESIZE*		PART NUMBER ROUND BORE IDLER	WEIGHT	
	mm	inch	mm	inch	mm	inch		Kg	lbs
19	118,00	4.646	59,00	2.323	25		CMAS0428151925	0,76	1.67
					30		CMAS0428151930	0,73	1.61
					35		CMAS0428151935	0,70	1.55
					40		CMAS0428151940	0,67	1.47
						1	CMAS04281519254	0,76	1.67
						1 ¼	CMAS04281519317	0,73	1.61
						1 ¾	CMAS04281519349	0,70	1.55
21	129,80	5.110	64,90	2.555	25		CMAS0428152125	0,97	2.14
					30		CMAS0428152130	0,94	2.08
					35		CMAS0428152135	0,91	2.02
					40		CMAS0428152140	0,88	1.94
						1	CMAS04281521254	0,97	2.14
						1 ¼	CMAS04281521317	0,94	2.08
						1 ¾	CMAS04281521349	0,91	2.02
23	142,30	5.602	71,15	2.801	25		CMAS0428152325	1,22	2.69
					30		CMAS0428152330	1,20	2.64
					35		CMAS0428152335	1,16	2.57
					40		CMAS0428152340	1,13	2.49
						1	CMAS04281523254	1,22	2.69
						1 ¼	CMAS04281523317	1,20	2.64
						1 ¾	CMAS04281523349	1,16	2.57
25	154,70	6.091	77,35	3.045	25		CMAS0428152525	1,49	3.29
					30		CMAS0428152530	1,46	3.23
					35		CMAS0428152535	1,43	3.16
					40		CMAS0428152540	1,40	3.08
						1	CMAS04281525254	1,49	3.28
						1 ¼	CMAS04281525317	1,46	3.23
						1 ¾	CMAS04281525349	1,43	3.16
	1 1/2	CMAS04281525381	1,41	3.12					

\*Diameter is indicated.