



SUITABLE FOR CHAINS:

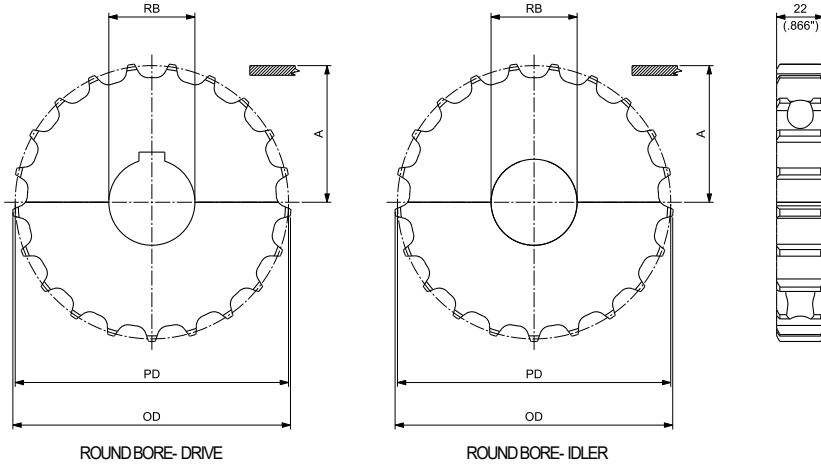
• 803

MATERIALS

SPROCKETS: **PA** POLYAMIDE

SCREWS: **SS** STAINLESS STEEL

NUTS: **B** BRASS



MOULDED SPLIT SPROCKETS

MACHINED SPLIT DRIVE AND IDLER SPROCKETS

| N. TEETH | PITCH DIAMETER PD | | OUTSIDE DIAMETER OD | | WEAR STRIP POSITIONING A | | BORESIZE* | | PART NUMBER ROUND BORE RB | | WEIGHT | |
|----------|-------------------|-------|---------------------|-------|--------------------------|-------|-----------|--------|---------------------------|----------------|--------|------|
| | mm | inch | mm | inch | mm | inch | mm | inch** | DRIVE | IDLER | Kg | lbs |
| 17 | 105,47 | 4.152 | 104,40 | 4.110 | 55,94 | 2.202 | 25 | | CMAS028031725 | CMAS038031725 | 0,21 | 0.47 |
| | | | | | | | 30 | | CMAS028031730 | CMAS038031730 | 0,20 | 0.45 |
| | | | | | | | 35 | | CMAS028031735 | CMAS038031735 | 0,20 | 0.43 |
| | | | | | | | 40 | | CMAS028031740 | CMAS038031740 | 0,20 | 0.45 |
| | | | | | | | 1 | | CMAS0280317254 | CMAS0380317254 | 0,21 | 0.46 |
| | | | | | | | 1 1/4 | | CMAS0280317317 | CMAS0380317317 | 0,20 | 0.44 |
| | | | | | | | 1 1/2 | | CMAS0280317381 | CMAS0380317381 | 0,19 | 0.42 |
| 19 | 117,34 | 4.620 | 117,00 | 4.606 | 62,87 | 2.475 | 25 | | CMAS028031925 | CMAS038031925 | 0,26 | 0.57 |
| | | | | | | | 30 | | CMAS028031930 | CMAS038031930 | 0,25 | 0.56 |
| | | | | | | | 35 | | CMAS028031935 | CMAS038031935 | 0,25 | 0.54 |
| | | | | | | | 40 | | CMAS028031940 | CMAS038031940 | 0,24 | 0.52 |
| | | | | | | | 1 | | CMAS0280319254 | CMAS0380319254 | 0,26 | 0.57 |
| | | | | | | | 1 1/4 | | CMAS0280319317 | CMAS0380319317 | 0,24 | 0.54 |
| | | | | | | | 1 1/2 | | CMAS0280319381 | CMAS0380319381 | 0,22 | 0.49 |
| 21 | 129,26 | 5.089 | 129,40 | 5.094 | 67,83 | 2.670 | 25 | | CMAS028032125 | CMAS038032125 | 0,31 | 0.68 |
| | | | | | | | 30 | | CMAS028032130 | CMAS038032130 | 0,30 | 0.67 |
| | | | | | | | 35 | | CMAS028032135 | CMAS038032135 | 0,30 | 0.65 |
| | | | | | | | 40 | | CMAS028032140 | CMAS038032140 | 0,29 | 0.63 |
| | | | | | | | 1 | | CMAS0280321254 | CMAS0380321254 | 0,31 | 0.68 |
| | | | | | | | 1 1/4 | | CMAS0280321317 | CMAS0380321317 | 0,29 | 0.64 |
| | | | | | | | 1 1/2 | | CMAS0280321381 | CMAS0380321381 | 0,27 | 0.59 |
| 23 | 141,22 | 5.560 | 141,90 | 5.587 | 73,81 | 2.906 | 25 | | CMAS028032325 | CMAS038032325 | 0,37 | 0.80 |
| | | | | | | | 30 | | CMAS028032330 | CMAS038032330 | 0,36 | 0.79 |
| | | | | | | | 35 | | CMAS028032335 | CMAS038032335 | 0,35 | 0.78 |
| | | | | | | | 40 | | CMAS028032340 | CMAS038032340 | 0,35 | 0.78 |
| | | | | | | | 1 | | CMAS0280323254 | CMAS0380323254 | 0,36 | 0.80 |
| | | | | | | | 1 1/4 | | CMAS0280323317 | CMAS0380323317 | 0,35 | 0.77 |
| | | | | | | | 1 1/2 | | CMAS0280323381 | CMAS0380323381 | 0,33 | 0.72 |
| 25 | 153,19 | 6.031 | 154,20 | 6.071 | 79,80 | 3.142 | 25 | | CMAS028032525 | CMAS038032525 | 0,45 | 1.00 |
| | | | | | | | 30 | | CMAS028032530 | CMAS038032530 | 0,45 | 0.99 |
| | | | | | | | 35 | | CMAS028032535 | CMAS038032535 | 0,44 | 0.97 |
| | | | | | | | 40 | | CMAS028032540 | CMAS038032540 | 0,43 | 0.96 |
| | | | | | | | 1 | | CMAS0280325254 | CMAS0380325254 | 0,45 | 1.00 |
| | | | | | | | 1 1/4 | | CMAS0280325317 | CMAS0380325317 | 0,44 | 0.96 |
| | | | | | | | 1 1/2 | | CMAS0280325381 | CMAS0380325381 | 0,38 | 0.84 |

*Diameter is indicated.

** Imperial round bore drive sprockets are supplied with setscrew. Metric round bore drive sprockets are supplied without setscrew.

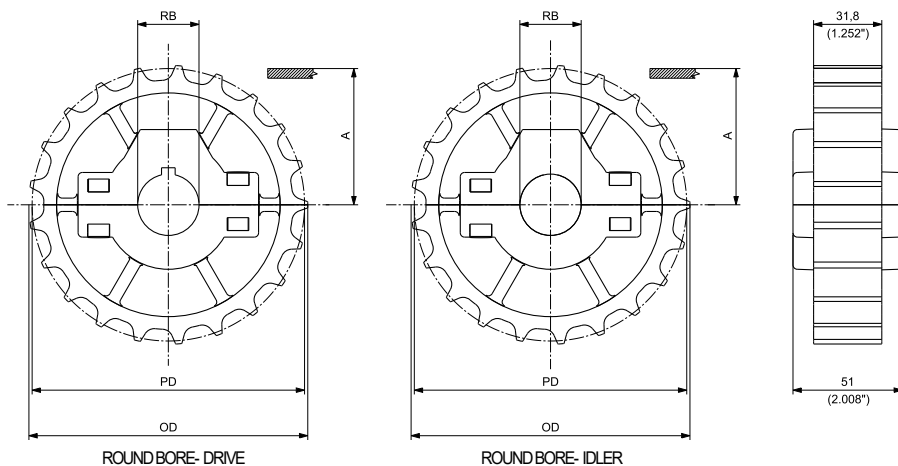


SUITABLE FOR CHAINS:

- 881 / 881T
- 981 / 981T
- PHDG981T
- 982T
- 803

| MATERIALS | |
|------------|---------------------------------|
| SPROCKETS: | PGF REINFORCEDPOLYAMIDE |
| SCREWS: | SS STAINLESS STEEL |
| NUTS: | B+NC NICKEL PLATED BRASS |

19T & 21T SPROCKETS (for 23T & 25T seenext page)



MOULDED SPLIT IDLERWHEELS FOR881/981 CHAINS



MOULDED SOLID IDLERWHEELS FOR881/981 CHAINS

MOULDED SPLIT DRIVE AND IDLER SPROCKETS

| N. TEETH | PITCH DIAMETER PD | | OUTSIDE DIAMETER OD | | WEARSTRIP POSITIONING A | | BORESIZE* | | PART NUMBER ROUND BORE RB | | WEIGHT | |
|----------|-------------------|-------|---------------------|-------|-------------------------|-------|-----------|--------|---------------------------|---------------------|--------|------|
| | mm | inch | mm | inch | mm | inch | mm | inch** | DRIVE | IDLER | Kg | lbs |
| 19 | 117,34 | 4.620 | 117,00 | 4.606 | 62,07 | 2.444 | 25 | | CMT028811901 | CMT038811901 | 0,33 | 0.73 |
| | | | | | | | 30 | | CMT028811902 | CMT038811902 | 0,32 | 0.71 |
| | | | | | | | 35 | | CMT028811903 | CMT038811903 | 0,31 | 0.68 |
| | | | | | | | 40 | | CMT028811904 | CMT038811904 | 0,30 | 0.66 |
| | | | | | | | 45 | | CMT028811905 | CMT038811905 | 0,29 | 0.64 |
| | | | | | | | | 1 | CMT028811906 | CMT038811906 | 0,33 | 0.73 |
| | | | | | | | | 1 ¼ | CMT028811908 | CMT038811908 | 0,32 | 0.71 |
| | | | | | | | | 1 ⅜ | CMT028811911 | CMT038811911 | 0,32 | 0.71 |
| | | | | | | | | 1 ⅞ | CMT028811909 | CMT038811909 | 0,31 | 0.68 |
| | | | | | | | | 1 1/2 | CMT028811910 | CMT038811910 | 0,31 | 0.68 |
| 21 | 129,30 | 5.091 | 130,00 | 5.118 | 68,05 | 2.679 | 25 | | CMT028812101 | CMT038812101 | 0,43 | 0.95 |
| | | | | | | | 30 | | CMT028812102 | CMT038812102 | 0,42 | 0.93 |
| | | | | | | | 35 | | CMT028812103 | CMT038812103 | 0,41 | 0.91 |
| | | | | | | | 40 | | CMT028812104 | CMT038812104 | 0,40 | 0.88 |
| | | | | | | | 45 | | CMT028812105 | CMT038812105 | 0,39 | 0.85 |
| | | | | | | | | 1 | CMT028812106 | CMT038812106 | 0,43 | 0.95 |
| | | | | | | | | 1 ¼ | CMT028812108 | CMT038812108 | 0,42 | 0.92 |
| | | | | | | | | 1 ⅜ | CMT028812111 | CMT038812111 | 0,42 | 0.92 |
| | | | | | | | | 1 ⅞ | CMT028812109 | CMT038812109 | 0,41 | 0.90 |
| | | | | | | | | 1 1/2 | CMT028812110 | CMT038812110 | 0,40 | 0.89 |

*Diameter isindicated.

** Imperial round bore drive sprocketsare supplied with setscrew.Metric round bore drive sprocketsare supplied without setscrew.

SUITABLE FOR CHAINS:

- 881 / 881T
- 981 / 981T
- PHDG981T
- 982T
- 803

MATERIALS

SPROCKETS: **PGF** REINFORCEDPOLYAMIDE

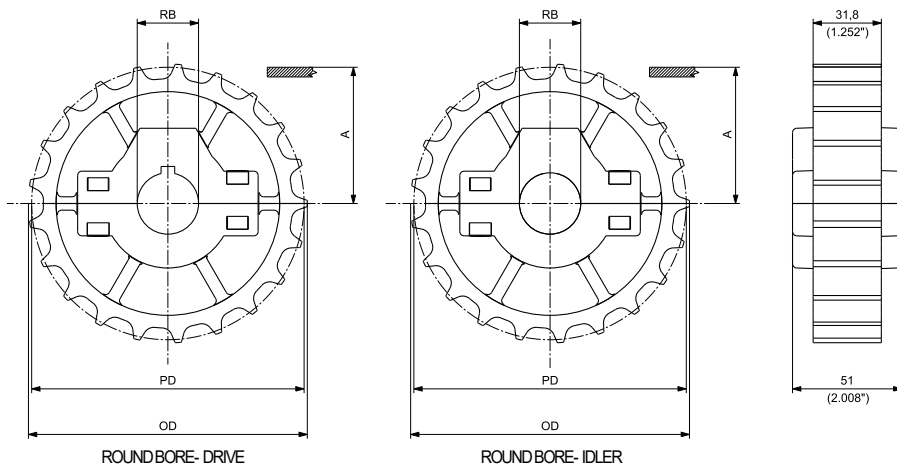
SCREWS: **SS** STAINLESS STEEL

NUTS: **B+NC** NICKEL PLATED BRASS



23T & 25T SPROCKETS

(for 19T & 21T see previous page)



MOULDED SPLIT IDLER WHEELS FOR 881/981 CHAINS



MOULDED SOLID IDLER WHEELS FOR 881/981 CHAINS

MOULDED SPLIT DRIVE AND IDLER SPROCKETS

| N. TEETH | PITCH DIAMETER PD | | OUTSIDE DIAMETER OD | | WEAR STRIP POSITIONING A | | BORESIZE* | | PART NUMBER ROUND BORE RB | | WEIGHT | |
|----------|-------------------|-------|---------------------|-------|--------------------------|-------|-----------|--------|---------------------------|---------------------|--------|------|
| | mm | inch | mm | inch | mm | inch | mm | inch** | DRIVE | IDLER | Kg | lbs |
| 23 | 141,20 | 5.559 | 141,90 | 5.587 | 74,00 | 2.913 | 25 | | CMT028812301 | CMT038812301 | 0,47 | 1.04 |
| | | | | | | | 30 | | CMT028812302 | CMT038812302 | 0,46 | 1.02 |
| | | | | | | | 35 | | CMT028812303 | CMT038812303 | 0,45 | 1.00 |
| | | | | | | | 40 | | CMT028812304 | CMT038812304 | 0,44 | 0.97 |
| | | | | | | | 45 | | CMT028812305 | CMT038812305 | 0,43 | 0.94 |
| | | | | | | | 1 | | CMT028812306 | CMT038812306 | 0,47 | 1.04 |
| | | | | | | | 1 ¼ | | CMT028812308 | CMT038812308 | 0,46 | 1.01 |
| | | | | | | | 1 ⅜ | | CMT028812311 | CMT038812311 | 0,46 | 1.01 |
| | | | | | | | 1 ⅞ | | CMT028812309 | CMT038812309 | 0,45 | 0.99 |
| | | | | | | | 1 1/2 | | CMT028812310 | CMT038812310 | 0,44 | 0.98 |
| 25 | 153,20 | 6.031 | 154,20 | 6.071 | 80,00 | 3.150 | 25 | | CMT028812501 | CMT038812501 | 0,51 | 1.13 |
| | | | | | | | 30 | | CMT028812502 | CMT038812502 | 0,50 | 1.11 |
| | | | | | | | 35 | | CMT028812503 | CMT038812503 | 0,49 | 1.09 |
| | | | | | | | 40 | | CMT028812504 | CMT038812504 | 0,48 | 1.06 |
| | | | | | | | 45 | | CMT028812505 | CMT038812505 | 0,47 | 1.03 |
| | | | | | | | 1 | | CMT028812506 | CMT038812506 | 0,51 | 1.13 |
| | | | | | | | 1 ¼ | | CMT028812508 | CMT038812508 | 0,50 | 1.10 |
| | | | | | | | 1 ⅜ | | CMT028812511 | CMT038812511 | 0,50 | 1.10 |
| | | | | | | | 1 ⅞ | | CMT028812509 | CMT038812509 | 0,49 | 1.08 |
| | | | | | | | 1 1/2 | | CMT028812510 | CMT038812510 | 0,48 | 1.07 |

*Diameter is indicated.

** Imperial round bore drive sprockets are supplied with setscrew. Metric round bore drive sprockets are supplied without setscrew.