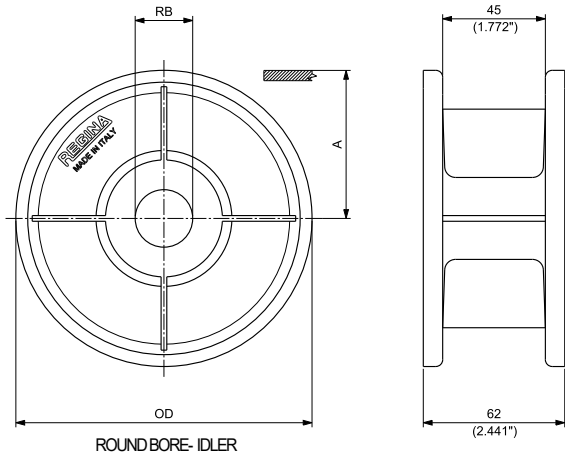


SUITABLE FOR CHAINS:

- 915 / PHD915
- PHDG915
- 881
- 981 / 981M / PHD981M
- PHDG981M
- 820
- HFX820
- 831
- 828
- 880 / 880M RG
- 879

MATERIALS

SPROCKETS: **PGF** REINFORCEDPOLYAMIDE



MOULDED SOLID IDLER WHEELS

N. TEETH	OUTSIDE DIAMETER OD		WEARSTRIP POSITIONING A		BORESIZE*		PART NUMBER ROUND BORE RB IDLER	WEIGHT	
	mm	inch	mm	inch	mm	inch		Kg	lbs
21	129,80	5.110	64,90	2.555	25		CMT032502101	0,22	0.48
					30		CMT032502102	0,22	0.49
					35		CMT032502103	0,22	0.49
					40		CMT032502104	0,20	0.44
					1		CMT032502106	0,22	0.49
					1 ¼		CMT032502108	0,21	0.47
					1 ⅜		CMT032502111	0,21	0.47
					1 ⅞		CMT032502109	0,20	0.44
					1 1/2		CMT032502110	0,22	0.49
					23	142,30	5.602	71,15	2.801
30		CMT032502302	0,25	0.55					
35		CMT032502303	0,24	0.53					
40		CMT032502304	0,24	0.54					
1		CMT032502306	0,24	0.54					
1 ¼		CMT032502308	0,24	0.53					
1 ⅜		CMT032502311	0,24	0.53					
1 ⅞		CMT032502309	0,24	0.53					
1 1/2		CMT032502310	0,25	0.55					
25	154,70	6.091	77,35	3.045					
					30		CMT032502502	0,30	0.66
					35		CMT032502503	0,29	0.64
					40		CMT032502504	0,28	0.62
					1		CMT032502506	0,30	0.65
					1 ¼		CMT032502508	0,29	0.64
					1 ⅜		CMT032502511	0,29	0.64
					1 ⅞		CMT032502509	0,29	0.64
					1 1/2		CMT032502510	0,28	0.61

*Diameter isindicated.

SUITABLE FOR CHAINS:

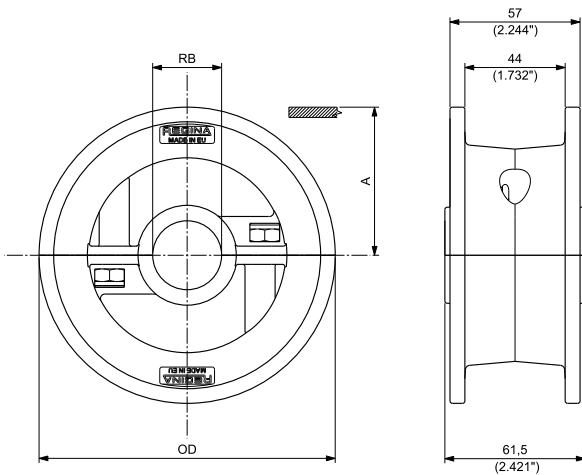
- 915 / PHD915
- PHDG915
- 881
- 981 / 981M / PHD981M
- PHDG981M
- 820
- HFX820
- 831
- 828
- 880 / 880M RG

MATERIALS

SPROCKETS: **PGF** REINFORCEDPOLYAMIDE

SCREWS: **SS** STAINLESS STEEL

NUTS: **S+ZN** ZINC PLATED STEEL



ROUND BORE- IDLER



MOULDED SPLIT IDLERWHEELS

N. TEETH	OUTSIDE DIAMETER OD		WEAR STRIP POSITIONING A		BORE SIZE*		PART NUMBER ROUND BORE RB IDLER	WEIGHT	
	mm	inch	mm	inch	mm	inch		Kg	lbs
21	129,80	5.110	64,90	2.555	25		CMTS048152125	0,33	0.72
					30		CMTS048152130	0,33	0.73
					35		CMTS048152135	0,31	0.68
					40		CMTS048152140	0,34	0.76
					45		CMTS048152145	0,31	0.69
					1		CMTS0481521254	0,33	0.72
					1 ¼		CMTS0481521317	0,32	0.71
23	142,30	5.602	71,15	2.801	25		CMTS048152325	0,36	0.80
					30		CMTS048152330	0,37	0.81
					35		CMTS048152335	0,35	0.76
					40		CMTS048152340	0,38	0.84
					45		CMTS048152345	0,35	0.77
					1		CMTS0481523254	0,36	0.80
					1 ¼		CMTS0481523317	0,36	0.79
25	154,70	6.091	77,35	3.045	25		CMTS048152525	0,40	0.89
					30		CMTS048152530	0,41	0.90
					35		CMTS048152535	0,39	0.85
					40		CMTS048152540	0,42	0.92
					45		CMTS048152545	0,39	0.86
					1		CMTS0481525254	0,40	0.89
					1 ¼		CMTS0481525317	0,40	0.88

*Diameter is indicated.

SUITABLE FOR CHAINS:

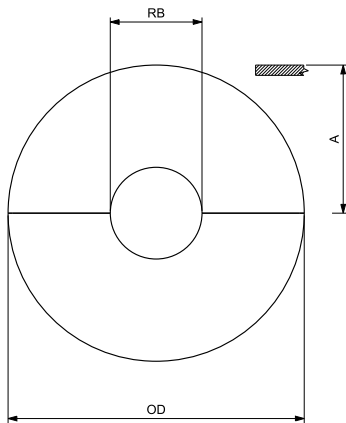
- 915 / PHD915
- PHDG915
- 881
- 981 / 981M / PHD981M
- PHDG981M
- 820
- HFX 820
- 831
- 828
- 880 / 880M RG
- 879

MATERIALS

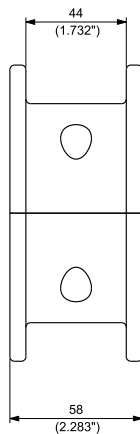
SPROCKETS:	PA	POLYAMIDE
SCREWS:	SS	STAINLESS STEEL
NUTS:	B	BRASS

17T & 19T IDLERWHEELS

(for 21T, 23T & 25T see next page)



ROUND BORE- IDLER



MACHINED SPLIT IDLERWHEELS

N. TEETH	OUTSIDE DIAMETER OD		WEAR STRIP POSITIONING A		BORESIZE*		PART NUMBER ROUND BORE RB IDLER	WEIGHT	
	mm	inch	mm	inch	mm	inch		Kg	lbs
17	106,50	4.193	53,25	2.096	25		CMAS048151725	0,34	0.76
					30		CMAS048151730	0,33	0.73
					35		CMAS048151735	0,31	0.69
					40		CMAS048151740	0,29	0.65
					1		CMAS0481517254	0,34	0.76
					1 ¼		CMAS0481517317	0,32	0.71
					1 ⅜		CMAS0481517349	0,32	0.71
					1 ⅞		CMAS0481517365	0,31	0.69
19	118,00	4.646	59,00	2.323	1 1/2		CMAS0481517381	0,30	0.66
					25		CMAS048151925	0,45	1.00
					30		CMAS048151930	0,44	0.97
					35		CMAS048151935	0,42	0.93
					40		CMAS048151940	0,40	0.89
					1		CMAS0481519254	0,45	1.00
					1 ¼		CMAS0481519317	0,42	0.92
					1 ⅜		CMAS0481519349	0,42	0.92
1 ⅞		CMAS0481519365	0,40	0.89					
				1 1/2		CMAS0481519381	0,38	0.84	

*Diameter is indicated.

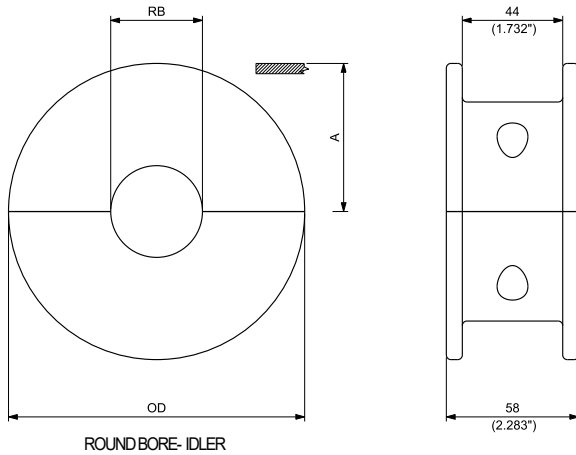
SUITABLE FOR CHAINS:

- 915 / PHD915
- PHDG915
- 881 / 981 / 981M / PHD981M
- PHDG981M
- 820 / HFX820
- 831
- 828
- 880 / 880M RG
- 879

MATERIALS

SPROCKETS:	PA	POLYAMIDE
SCREWS:	SS	STAINLESS STEEL
NUTS:	B	BRASS

21T, 23T & 25T IDLERWHEELS (for 17T & 19T see previous page)



MACHINED SPLIT IDLERWHEELS

N. TEETH	OUTSIDE DIAMETER OD		WEAR STRIP POSITIONING A		BORESIZE*		PART NUMBER ROUND BORE RB IDLER	WEIGHT	
	mm	inch	mm	inch	mm	inch		Kg	lbs
21	129,80	5.110	64,90	2.555	25		CMAS048152125	0,58	1.27
					30		CMAS048152130	0,56	1.24
					35		CMAS048152135	0,54	1.20
					40		CMAS048152140	0,52	1.15
					1		CMAS0481521254	0,58	1.27
					1 ¼		CMAS0481521317	0,56	1.24
					1 ⅞		CMAS0481521365	0,54	1.20
23	142,30	5.602	71,15	2.801	25		CMAS048152325	0,72	1.58
					30		CMAS048152330	0,70	1.55
					35		CMAS048152335	0,69	1.51
					40		CMAS048152340	0,67	1.47
					1		CMAS0481523254	0,72	1.58
					1 ¼		CMAS0481523317	0,70	1.55
					1 ⅞		CMAS0481523365	0,69	1.51
25	154,70	6.091	77,35	3.045	25		CMAS048152525	0,87	1.92
					30		CMAS048152530	0,85	1.88
					35		CMAS048152535	0,84	1.85
					40		CMAS048152540	0,82	1.80
					1		CMAS0481525254	0,87	1.91
					1 ¼		CMAS0481525317	0,85	1.88
					1 ⅞		CMAS0481525365	0,84	1.85
				1 1/2		CMAS0481525381	0,83	1.82	

*Diameter is indicated.

SUITABLE FOR CHAINS:

- 881 / 881T
- 981 / 981T
- PHDG981T
- 982T
- 803

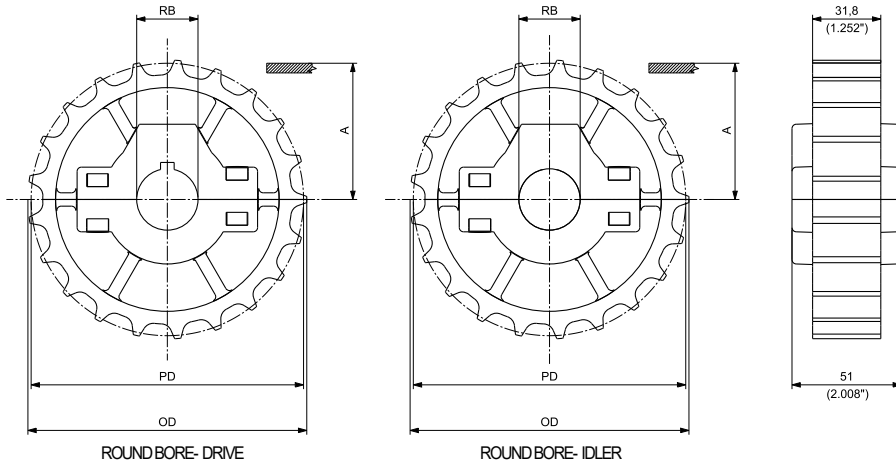
MATERIALS

SPROCKETS: **PGF** REINFORCED POLYAMIDE

SCREWS: **SS** STAINLESS STEEL

NUTS: **B+NC** NICKEL PLATED BRASS

19T & 21T SPROCKETS (for 23T & 25T seen next page)



MOULDED SPLIT IDLER WHEELS FOR 881/981 CHAINS



MOULDED SOLID IDLER WHEELS FOR 881/981 CHAINS

MOULDED SPLIT DRIVE AND IDLER SPROCKETS

N. TEETH	PITCH DIAMETER PD		OUTSIDE DIAMETER OD		WEAR STRIP POSITIONING A		BORE SIZE*		PART NUMBER ROUND BORE RB		WEIGHT	
	mm	inch	mm	inch	mm	inch	mm	inch**	DRIVE	IDLER	Kg	lbs
19	117,34	4.620	117,00	4.606	62,07	2.444	25		CMT028811901	CMT038811901	0,33	0.73
							30		CMT028811902	CMT038811902	0,32	0.71
							35		CMT028811903	CMT038811903	0,31	0.68
							40		CMT028811904	CMT038811904	0,30	0.66
							45		CMT028811905	CMT038811905	0,29	0.64
							1		CMT028811906	CMT038811906	0,33	0.73
							1 ¼		CMT028811908	CMT038811908	0,32	0.71
							1 ⅜		CMT028811911	CMT038811911	0,32	0.71
							1 ⅞		CMT028811909	CMT038811909	0,31	0.68
							1 1/2		CMT028811910	CMT038811910	0,31	0.68
21	129,30	5.091	130,00	5.118	68,05	2.679	25		CMT028812101	CMT038812101	0,43	0.95
							30		CMT028812102	CMT038812102	0,42	0.93
							35		CMT028812103	CMT038812103	0,41	0.91
							40		CMT028812104	CMT038812104	0,40	0.88
							45		CMT028812105	CMT038812105	0,39	0.85
							1		CMT028812106	CMT038812106	0,43	0.95
							1 ¼		CMT028812108	CMT038812108	0,42	0.92
							1 ⅜		CMT028812111	CMT038812111	0,42	0.92
							1 ⅞		CMT028812109	CMT038812109	0,41	0.90
							1 1/2		CMT028812110	CMT038812110	0,40	0.89

*Diameter is indicated.

** Imperial round bore drive sprockets are supplied with setscrew. Metric round bore drive sprockets are supplied without setscrew.

SUITABLE FOR CHAINS:

- 881 / 881T
- 981 / 981T
- PHDG981T
- 982T
- 803

MATERIALS

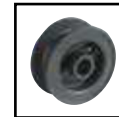
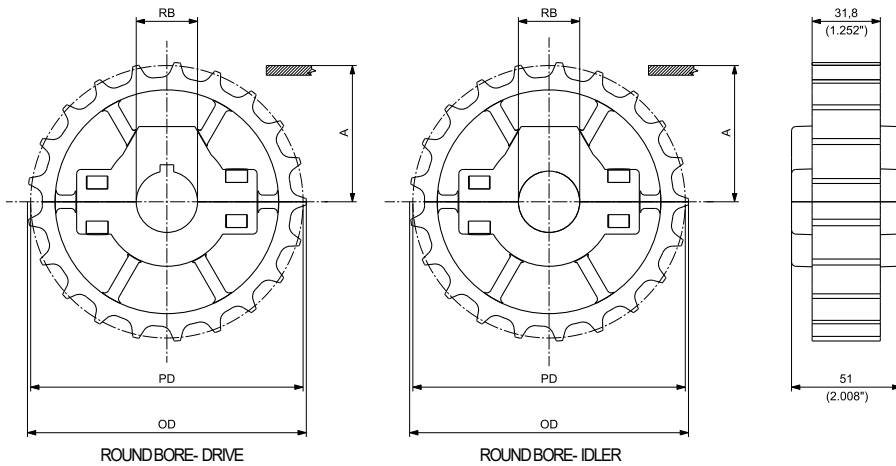
SPROCKETS: **PGF** REINFORCEDPOLYAMIDE

SCREWS: **SS** STAINLESS STEEL

NUTS: **B+NC** NICKEL PLATED BRASS

23T & 25T SPROCKETS

(for 19T & 21T see previous page)



MOULDED SPLIT IDLERWHEELS FOR881/981 CHAINS



MOULDED SOLID IDLERWHEELS FOR881/981 CHAINS

MOULDED SPLIT DRIVE AND IDLER SPROCKETS

N. TEETH	PITCH DIAMETER PD		OUTSIDE DIAMETER OD		WEAR STRIP POSITIONING A		BORESIZE*		PART NUMBER ROUND BORE RB		WEIGHT	
	mm	inch	mm	inch	mm	inch	mm	inch**	DRIVE	IDLER	Kg	lbs
23	141,20	5.559	141,90	5.587	74,00	2.913	1		CMT028812301	CMT038812301	0,47	1.04
									CMT028812302	CMT038812302	0,46	1.02
									CMT028812303	CMT038812303	0,45	1.00
									CMT028812304	CMT038812304	0,44	0.97
									CMT028812305	CMT038812305	0,43	0.94
									CMT028812306	CMT038812306	0,47	1.04
									CMT028812308	CMT038812308	0,46	1.01
									CMT028812311	CMT038812311	0,46	1.01
									CMT028812309	CMT038812309	0,45	0.99
									CMT028812310	CMT038812310	0,44	0.98
25	153,20	6.031	154,20	6.071	80,00	3.150	1		CMT028812501	CMT038812501	0,51	1.13
									CMT028812502	CMT038812502	0,50	1.11
									CMT028812503	CMT038812503	0,49	1.09
									CMT028812504	CMT038812504	0,48	1.06
									CMT028812505	CMT038812505	0,47	1.03
									CMT028812506	CMT038812506	0,51	1.13
									CMT028812508	CMT038812508	0,50	1.10
									CMT028812511	CMT038812511	0,50	1.10
									CMT028812509	CMT038812509	0,49	1.08
									CMT028812510	CMT038812510	0,48	1.07

*Diameter is indicated.

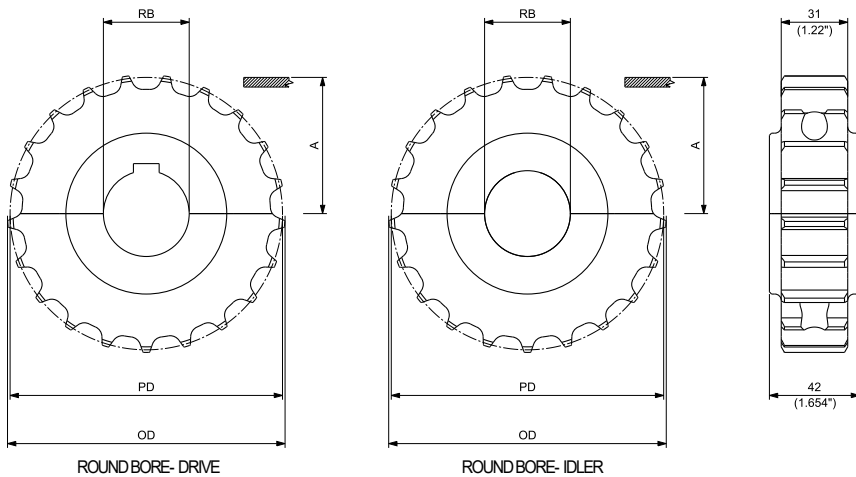
** Imperial round bore drive sprockets are supplied with setscrew. Metric round bore drive sprockets are supplied without setscrew.

SUITABLE FOR CHAINS:

- 881 / 881T
- 981 / 981T
- PHDG981T
- 982T

MATERIALS	
SPROCKETS:	PA POLYAMIDE
SCREWS:	SS STAINLESS STEEL
NUTS:	B BRASS

17T, 19T & 21T SPROCKETS (for 23T, 25T & 27T seenext page)



MACHINED SPLIT IDLERWHEELS FOR881/981 CHAINS

MACHINED SPLIT DRIVE AND IDLER SPROCKETS

N. TEETH	PITCH DIAMETER PD		OUTSIDE DIAMETER OD		WEAR STRIP POSITIONING A		BORESIZE*		PART NUMBER ROUND BORE RB		WEIGHT	
	mm	inch	mm	inch	mm	inch	mm	inch**	DRIVE	IDLER	Kg	lbs
17	105,47	4.152	104,40	4.110	56,14	2.210	25		CMAS028811725	CMAS038811725	0,31	0.68
							30		CMAS028811730	CMAS038811730	0,30	0.66
							35		CMAS028811735	CMAS038811735	0,29	0.63
							40		CMAS028811740	CMAS038811740	0,27	0.60
							1		CMAS0288117254	CMAS0388117254	0,31	0.68
							1 ¼		CMAS0288117317	CMAS0388117317	0,29	0.65
							1 ⅜		CMAS0288117349	CMAS0388117349	0,29	0.65
							1 ⅞		CMAS0288117365	CMAS0388117365	0,28	0.61
							1 1/2		CMAS0288117381	CMAS0388117381	0,28	0.61
							19	117,34	4.620	117,00	4.606	62,07
							30		CMAS028811930	CMAS038811930	0,38	0.84
							35		CMAS028811935	CMAS038811935	0,37	0.81
							40		CMAS028811940	CMAS038811940	0,35	0.78
							1		CMAS0288119254	CMAS0388119254	0,39	0.86
							1 ¼		CMAS0288119317	CMAS0388119317	0,38	0.84
							1 ⅜		CMAS0288119349	CMAS0388119349	0,37	0.81
							1 ⅞		CMAS0288119365	CMAS0388119365	0,36	0.80
							1 1/2		CMAS0288119381	CMAS0388119381	0,32	0.71
21	129,26	5.089	129,40	5.094	68,03	2.678	25		CMAS028812125	CMAS038812125	0,47	1.03
							30		CMAS028812130	CMAS038812130	0,46	1.01
							35		CMAS028812135	CMAS038812135	0,45	0.98
							40		CMAS028812140	CMAS038812140	0,43	0.95
							1		CMAS0288121254	CMAS0388121254	0,47	1.03
							1 ¼		CMAS0288121317	CMAS0388121317	0,47	1.03
							1 ⅜		CMAS0288121349	CMAS0388121349	0,46	1.01
							1 ⅞		CMAS0288121365	CMAS0388121365	0,45	0.98
							1 1/2		CMAS0288121381	CMAS0388121381	0,44	0.96

*Diameter isindicated.

** Imperial round bore drive sprocketsare supplied with setscrew.Metric round bore drive sprocketsare supplied without setscrew.

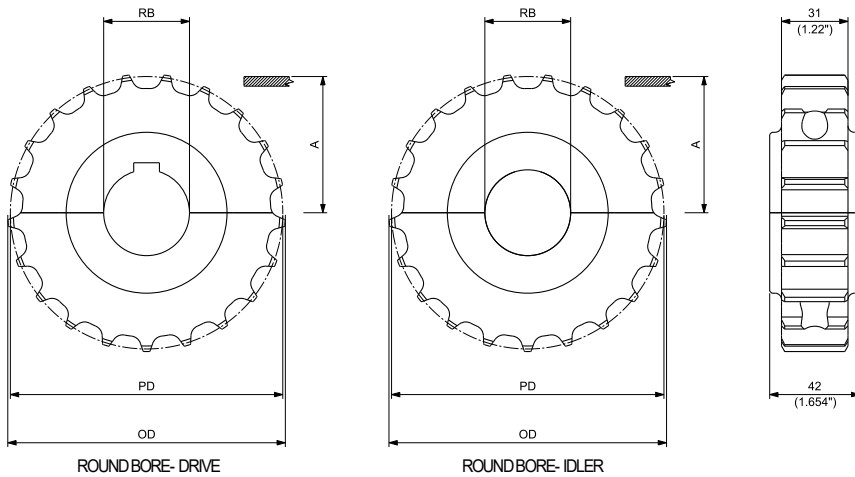
SUITABLE FOR CHAINS:

- 881 / 881T
- 981 / 981T
- PHDG981T
- 982T

MATERIALS

SPROCKETS:	PA	POLYAMIDE
SCREWS:	SS	STAINLESS STEEL
NUTS:	B	BRASS

23T, 25T & 27T SPROCKETS (for 17T, 19T & 21T see previous page)



MACHINED SPLIT IDLER WHEELS FOR 881/981 CHAINS

MACHINED SPLIT DRIVE AND IDLER SPROCKETS

N. TEETH	PITCH DIAMETER PD		OUTSIDE DIAMETER OD		WEAR STRIP POSITIONING A		BORE SIZE*		PART NUMBER ROUND BORE RB		WEIGHT	
	mm	inch	mm	inch	mm	inch	mm	inch**	DRIVE	IDLER	Kg	lbs
23	141,22	5.560	141,90	5.587	74,01	2.914	1	1	CMAS028812325	CMAS038812325	0,56	1.23
									CMAS028812330	CMAS038812330	0,55	1.21
									CMAS028812335	CMAS038812335	0,54	1.18
									CMAS028812340	CMAS038812340	0,52	1.15
									CMAS0288123254	CMAS0388123254	0,56	1.23
									CMAS0288123317	CMAS0388123317	0,56	1.23
									CMAS0288123349	CMAS0388123349	0,55	1.21
									CMAS0288123365	CMAS0388123365	0,54	1.18
									CMAS0288123381	CMAS0388123381	0,53	1.16
									CMAS028812525	CMAS038812525	0,69	1.52
25	153,20	6.031	154,20	6.071	80,00	3.150	1	1	CMAS028812530	CMAS038812530	0,68	1.50
									CMAS028812535	CMAS038812535	0,67	1.47
									CMAS028812540	CMAS038812540	0,65	1.44
									CMAS0288125254	CMAS0388125254	0,69	1.52
									CMAS0288125317	CMAS0388125317	0,69	1.52
									CMAS0288125349	CMAS0388125349	0,68	1.50
									CMAS0288125365	CMAS0388125365	0,67	1.47
									CMAS0288125381	CMAS0388125381	0,66	1.46
									CMAS028812725	CMAS038812725	0,83	1.84
									CMAS028812730	CMAS038812730	0,82	1.81
27	165,21	6.504	166,40	6.551	86,01	3.386	1	1	CMAS028812735	CMAS038812735	0,81	1.79
									CMAS028812740	CMAS038812740	0,80	1.75
									CMAS0288127254	CMAS0388127254	0,83	1.83
									CMAS0288127317	CMAS0388127317	0,83	1.83
									CMAS0288127349	CMAS0388127349	0,82	1.81
									CMAS0288127365	CMAS0388127365	0,81	1.79
									CMAS0288127381	CMAS0388127381	0,80	1.76

*Diameter is indicated.

** Imperial round bore drive sprockets are supplied with setscrew. Metric round bore drive sprockets are supplied without setscrew.