

### SUITABLE FOR CHAINS:

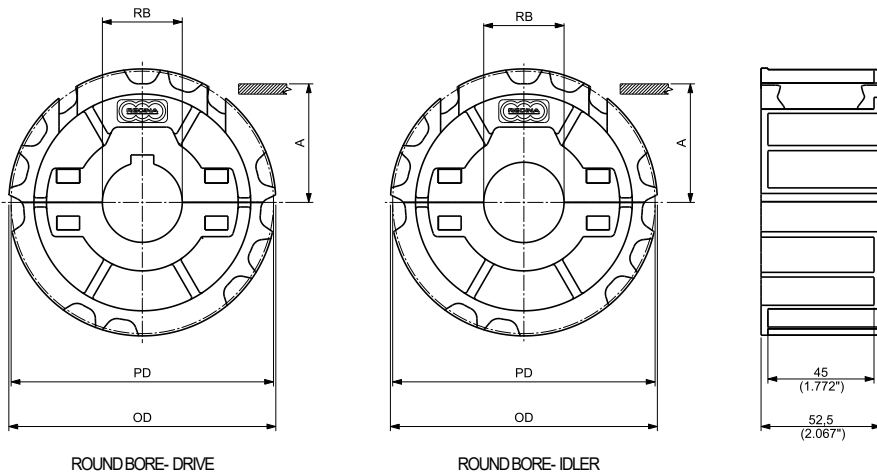
- 915 / PHD915
- PHDG915
- 981M / PHD981M
- PHDG981M

### MATERIALS

|            |             |                     |
|------------|-------------|---------------------|
| SPROCKETS: | <b>PGF</b>  | REINFORCEDPOLYAMIDE |
| SCREWS:    | <b>SS</b>   | STAINLESS STEEL     |
| NUTS:      | <b>B+NC</b> | NICKEL PLATED BRASS |

### 19T & 21T SPROCKETS

(for 23T & 25T seenext page)



### MOULDED SPLIT DRIVE AND IDLER SPROCKETS

| N. TEETH | PITCH DIAMETER PD |       | OUTSIDE DIAMETER OD |       | WEAR STRIP POSITIONING A |       | BORESIZE* |        | PART NUMBER ROUND BORE RB |                     | WEIGHT |      |
|----------|-------------------|-------|---------------------|-------|--------------------------|-------|-----------|--------|---------------------------|---------------------|--------|------|
|          | mm                | inch  | mm                  | inch  | mm                       | inch  | mm        | inch** | DRIVE                     | IDLER               | Kg     | lbs  |
| 19       | 117,34            | 4.620 | 117,00              | 4.606 | 62,07                    | 2.444 | 25        |        | <b>CMT028151901</b>       | <b>CMT038151901</b> | 0,40   | 0.88 |
|          |                   |       |                     |       |                          |       | 30        |        | <b>CMT028151902</b>       | <b>CMT038151902</b> | 0,39   | 0.86 |
|          |                   |       |                     |       |                          |       | 35        |        | <b>CMT028151903</b>       | <b>CMT038151903</b> | 0,38   | 0.84 |
|          |                   |       |                     |       |                          |       | 40        |        | <b>CMT028151904</b>       | <b>CMT038151904</b> | 0,37   | 0.82 |
|          |                   |       |                     |       |                          |       | 45        |        | <b>CMT028151905</b>       | <b>CMT038151905</b> | 0,36   | 0.79 |
|          |                   |       |                     |       |                          |       | 1         |        | <b>CMT028151906</b>       | <b>CMT038151906</b> | 0,40   | 0.88 |
|          |                   |       |                     |       |                          |       | 1 1/4     |        | <b>CMT028151908</b>       | <b>CMT038151908</b> | 0,39   | 0.86 |
|          |                   |       |                     |       |                          |       | 1 3/8     |        | <b>CMT028151911</b>       | <b>CMT038151911</b> | 0,39   | 0.86 |
|          |                   |       |                     |       |                          |       | 1 7/16    |        | <b>CMT028151909</b>       | <b>CMT038151909</b> | 0,38   | 0.84 |
|          |                   |       |                     |       |                          |       | 1 1/2     |        | <b>CMT028151910</b>       | <b>CMT038151910</b> | 0,37   | 0.82 |
| 21       | 129,30            | 5.091 | 130,00              | 5.118 | 68,05                    | 2.679 | 25        |        | <b>CMT028152101</b>       | <b>CMT038152101</b> | 0,52   | 1.15 |
|          |                   |       |                     |       |                          |       | 30        |        | <b>CMT028152102</b>       | <b>CMT038152102</b> | 0,51   | 1.12 |
|          |                   |       |                     |       |                          |       | 35        |        | <b>CMT028152103</b>       | <b>CMT038152103</b> | 0,50   | 1.10 |
|          |                   |       |                     |       |                          |       | 40        |        | <b>CMT028152104</b>       | <b>CMT038152104</b> | 0,48   | 1.06 |
|          |                   |       |                     |       |                          |       | 45        |        | <b>CMT028152105</b>       | <b>CMT038152105</b> | 0,47   | 1.04 |
|          |                   |       |                     |       |                          |       | 1         |        | <b>CMT028152106</b>       | <b>CMT038152106</b> | 0,52   | 1.15 |
|          |                   |       |                     |       |                          |       | 1 1/4     |        | <b>CMT028152108</b>       | <b>CMT038152108</b> | 0,51   | 1.12 |
|          |                   |       |                     |       |                          |       | 1 3/8     |        | <b>CMT028152111</b>       | <b>CMT038152111</b> | 0,50   | 1.10 |
|          |                   |       |                     |       |                          |       | 1 7/16    |        | <b>CMT028152109</b>       | <b>CMT038152109</b> | 0,49   | 1.08 |
|          |                   |       |                     |       |                          |       | 1 1/2     |        | <b>CMT028152110</b>       | <b>CMT038152110</b> | 0,49   | 1.08 |

\*Diameter is indicated.

\*\* Imperial round bore drive sprockets are supplied with setscrew. Metric round bore drive sprockets are supplied without setscrew.

### SUITABLE FOR CHAINS:

- 915 / PHD915
- PHDG915
- 981M / PHD981M
- PHDG981M

### MATERIALS

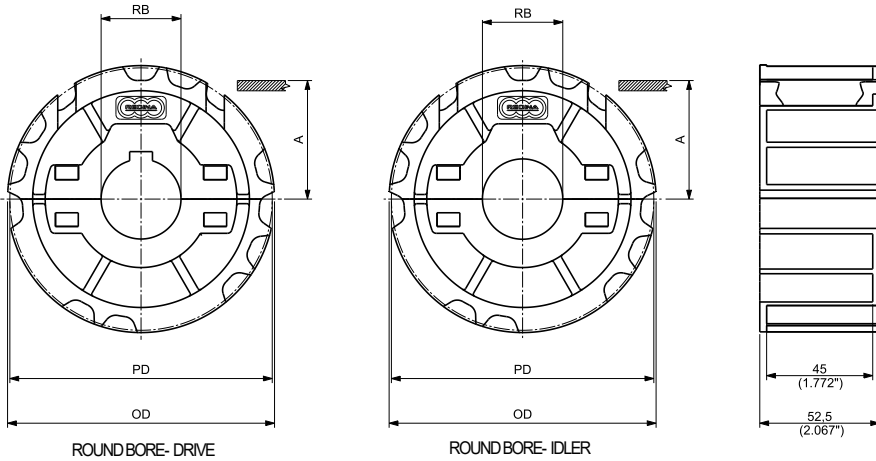
SPROCKETS: **PGF** REINFORCEDPOLYAMIDE

SCREWS: **SS** STAINLESS STEEL

NUTS: **B+NC** NICKEL PLATED BRASS

### 23T & 25T SPROCKETS

(for 19T & 21T see previous page)



### MOULDED SPLIT DRIVE AND IDLER SPROCKETS

| N. TEETH | PITCH DIAMETER PD |       | OUTSIDE DIAMETER OD |       | WEAR STRIP POSITIONING A |       | BORESIZE* |        | PART NUMBER ROUND BORE RB |                     | WEIGHT |      |
|----------|-------------------|-------|---------------------|-------|--------------------------|-------|-----------|--------|---------------------------|---------------------|--------|------|
|          | mm                | inch  | mm                  | inch  | mm                       | inch  | mm        | inch** | DRIVE                     | IDLER               | Kg     | lbs  |
| 23       | 141,20            | 5.559 | 141,90              | 5.587 | 74,00                    | 2.913 | 25        |        | <b>CMT028152301</b>       | <b>CMT038152301</b> | 0,57   | 1.26 |
|          |                   |       |                     |       |                          |       | 30        |        | <b>CMT028152302</b>       | <b>CMT038152302</b> | 0,56   | 1.23 |
|          |                   |       |                     |       |                          |       | 35        |        | <b>CMT028152303</b>       | <b>CMT038152303</b> | 0,55   | 1.21 |
|          |                   |       |                     |       |                          |       | 40        |        | <b>CMT028152304</b>       | <b>CMT038152304</b> | 0,53   | 1.17 |
|          |                   |       |                     |       |                          |       | 45        |        | <b>CMT028152305</b>       | <b>CMT038152305</b> | 0,52   | 1.15 |
|          |                   |       |                     |       |                          |       | 1         |        | <b>CMT028152306</b>       | <b>CMT038152306</b> | 0,57   | 1.26 |
|          |                   |       |                     |       |                          |       | 1 ¼       |        | <b>CMT028152308</b>       | <b>CMT038152308</b> | 0,56   | 1.23 |
|          |                   |       |                     |       |                          |       | 1 ⅜       |        | <b>CMT028152311</b>       | <b>CMT038152311</b> | 0,55   | 1.21 |
|          |                   |       |                     |       |                          |       | 1 ⅞       |        | <b>CMT028152309</b>       | <b>CMT038152309</b> | 0,54   | 1.19 |
|          |                   |       |                     |       |                          |       | 1 ½       |        | <b>CMT028152310</b>       | <b>CMT038152310</b> | 0,54   | 1.19 |
| 25       | 153,19            | 6.031 | 154,20              | 6.071 | 80,00                    | 3.150 | 25        |        | <b>CMT028152501</b>       | <b>CMT038152501</b> | 0,62   | 1.37 |
|          |                   |       |                     |       |                          |       | 30        |        | <b>CMT028152502</b>       | <b>CMT038152502</b> | 0,61   | 1.34 |
|          |                   |       |                     |       |                          |       | 35        |        | <b>CMT028152503</b>       | <b>CMT038152503</b> | 0,60   | 1.32 |
|          |                   |       |                     |       |                          |       | 40        |        | <b>CMT028152504</b>       | <b>CMT038152504</b> | 0,59   | 1.30 |
|          |                   |       |                     |       |                          |       | 45        |        | <b>CMT028152505</b>       | <b>CMT038152505</b> | 0,57   | 1.26 |
|          |                   |       |                     |       |                          |       | 1         |        | <b>CMT028152506</b>       | <b>CMT038152506</b> | 0,62   | 1.37 |
|          |                   |       |                     |       |                          |       | 1 ¼       |        | <b>CMT028152508</b>       | <b>CMT038152508</b> | 0,61   | 1.34 |
|          |                   |       |                     |       |                          |       | 1 ⅜       |        | <b>CMT028152511</b>       | <b>CMT038152511</b> | 0,60   | 1.32 |
|          |                   |       |                     |       |                          |       | 1 ⅞       |        | <b>CMT028152509</b>       | <b>CMT038152509</b> | 0,60   | 1.32 |
|          |                   |       |                     |       |                          |       | 1 ½       |        | <b>CMT028152510</b>       | <b>CMT038152510</b> | 0,59   | 1.30 |

\*Diameter is indicated.

\*\* Imperial round bore drive sprockets are supplied with setscrew. Metric round bore drive sprockets are supplied without setscrew.

### SUITABLE FOR CHAINS:

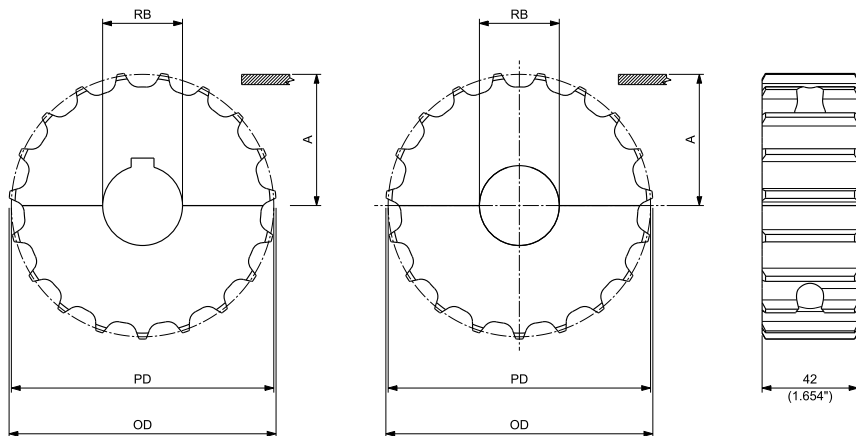
- 915 / PHD915
- PHDG915
- 981M / PHD981M
- PHDG981M

### MATERIALS

|            |           |                 |
|------------|-----------|-----------------|
| SPROCKETS: | <b>PA</b> | POLYAMIDE       |
| SCREWS:    | <b>SS</b> | STAINLESS STEEL |
| NUTS:      | <b>B</b>  | BRASS           |

### 17T, 19T & 21T SPROCKETS

(for 23T, 25T & 27T seenext page)



ROUND BORE- DRIVE

ROUND BORE- IDLER

### MACHINED SPLIT DRIVE AND IDLER SPROCKETS

| N. TEETH       | PITCH DIAMETER PD |       | OUTSIDE DIAMETER OD |       | WEAR STRIP POSITIONING A |       | BORESIZE* |        | PART NUMBER ROUND BORE RB |                | WEIGHT |        |
|----------------|-------------------|-------|---------------------|-------|--------------------------|-------|-----------|--------|---------------------------|----------------|--------|--------|
|                | mm                | inch  | mm                  | inch  | mm                       | inch  | mm        | inch** | DRIVE                     | IDLER          | Kg     | lbs    |
| 17             | 105,47            | 4.152 | 104,40              | 4.110 | 56,34                    | 2.218 | 1         | 1      | CMAS028151725             | CMAS038151725  | 0,36   | 0.80   |
|                |                   |       |                     |       |                          |       |           |        | CMAS028151730             | CMAS038151730  | 0,35   | 0.78   |
|                |                   |       |                     |       |                          |       |           |        | CMAS028151735             | CMAS038151735  | 0,34   | 0.75   |
|                |                   |       |                     |       |                          |       |           |        | CMAS028151740             | CMAS038151740  | 0,33   | 0.72   |
|                |                   |       |                     |       |                          |       |           |        | CMAS0281517254            | CMAS0381517254 | 0,36   | 0.80   |
|                |                   |       |                     |       |                          |       |           |        | CMAS0281517317            | CMAS0381517317 | 0,35   | 0.78   |
|                |                   |       |                     |       |                          |       |           |        | CMAS0281517349            | CMAS0381517349 | 0,35   | 0.78   |
|                |                   |       |                     |       |                          |       |           |        | CMAS0281517365            | CMAS0381517365 | 0,34   | 0.75   |
|                |                   |       |                     |       |                          |       |           |        | CMAS0281517381            | CMAS0381517381 | 0,33   | 0.73   |
|                |                   |       |                     |       |                          |       |           |        | CMAS028151925             | CMAS038151925  | 0,45   | 1.00   |
| 19             | 117,34            | 4.620 | 117,00              | 4.606 | 62,27                    | 2.452 | 1         | 1      | CMAS028151930             | CMAS038151930  | 0,44   | 0.97   |
|                |                   |       |                     |       |                          |       |           |        | CMAS028151935             | CMAS038151935  | 0,43   | 0.95   |
|                |                   |       |                     |       |                          |       |           |        | CMAS028151940             | CMAS038151940  | 0,42   | 0.92   |
|                |                   |       |                     |       |                          |       |           |        | CMAS0281519254            | CMAS0381519254 | 0,45   | 1.00   |
|                |                   |       |                     |       |                          |       |           |        | CMAS0281519317            | CMAS0381519317 | 0,45   | 1.00   |
|                |                   |       |                     |       |                          |       |           |        | CMAS0281519349            | CMAS0381519349 | 0,44   | 0.97   |
|                |                   |       |                     |       |                          |       |           |        | CMAS0281519365            | CMAS0381519365 | 0,43   | 0.94   |
|                |                   |       |                     |       |                          |       |           |        | CMAS0281519381            | CMAS0381519381 | 0,42   | 0.92   |
|                |                   |       |                     |       |                          |       |           |        | CMAS028152125             | CMAS038152125  | 0,54   | 1.20   |
|                |                   |       |                     |       |                          |       |           |        | 21                        | 129,26         | 5.089  | 129,40 |
| CMAS028152135  | CMAS038152135     | 0,53  | 1.17                |       |                          |       |           |        |                           |                |        |        |
| CMAS028152140  | CMAS038152140     | 0,52  | 1.14                |       |                          |       |           |        |                           |                |        |        |
| CMAS0281521254 | CMAS0381521254    | 0,55  | 1.22                |       |                          |       |           |        |                           |                |        |        |
| CMAS0281521317 | CMAS0381521317    | 0,55  | 1.22                |       |                          |       |           |        |                           |                |        |        |
| CMAS0281521349 | CMAS0381521349    | 0,54  | 1.20                |       |                          |       |           |        |                           |                |        |        |
| CMAS0281521365 | CMAS0381521365    | 0,53  | 1.17                |       |                          |       |           |        |                           |                |        |        |
| CMAS0281521381 | CMAS0381521381    | 0,52  | 1.15                |       |                          |       |           |        |                           |                |        |        |

\*Diameter is indicated.

\*\* Imperial round bore drive sprockets are supplied with setscrew. Metric round bore drive sprockets are supplied without setscrew.

### SUITABLE FOR CHAINS:

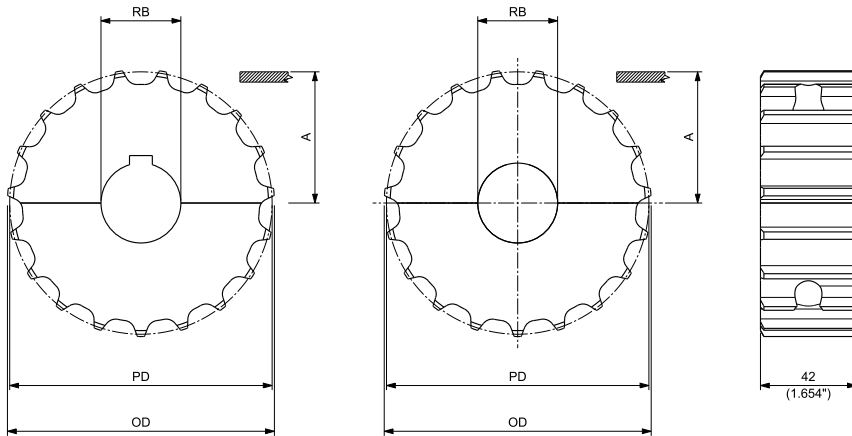
- 915 / PHD915
- PHDG915
- 981M / PHD981M
- PHDG981M

### MATERIALS

|            |           |                 |
|------------|-----------|-----------------|
| SPROCKETS: | <b>PA</b> | POLYAMIDE       |
| SCREWS:    | <b>SS</b> | STAINLESS STEEL |
| NUTS:      | <b>B</b>  | BRASS           |

### 23T, 25T & 27T SPROCKETS

(for 17T, 19T & 21T see previous page)



ROUND BORE- DRIVE

ROUND BORE- IDLER



### MACHINED SPLIT DRIVE AND IDLER SPROCKETS

| N. TEETH | PITCH DIAMETER PD |                       | OUTSIDE DIAMETER OD   |       | WEAR STRIP POSITIONING A |       | BORE SIZE* |        | PART NUMBER ROUND BORE RB |                       | WEIGHT |      |
|----------|-------------------|-----------------------|-----------------------|-------|--------------------------|-------|------------|--------|---------------------------|-----------------------|--------|------|
|          | mm                | inch                  | mm                    | inch  | mm                       | inch  | mm         | inch** | DRIVE                     | IDLER                 | Kg     | lbs  |
| 23       | 141,22            | 5.560                 | 141,90                | 5.587 | 74,21                    | 2.922 | 25         |        | <b>CMAS028152325</b>      | <b>CMAS038152325</b>  | 0,66   | 1.46 |
|          |                   |                       |                       |       |                          |       | 30         |        | <b>CMAS028152330</b>      | <b>CMAS038152330</b>  | 0,65   | 1.44 |
|          |                   |                       |                       |       |                          |       | 35         |        | <b>CMAS028152335</b>      | <b>CMAS038152335</b>  | 0,64   | 1.41 |
|          |                   |                       |                       |       |                          |       | 40         |        | <b>CMAS028152340</b>      | <b>CMAS038152340</b>  | 0,63   | 1.38 |
|          |                   |                       |                       |       |                          |       |            | 1      | <b>CMAS0281523254</b>     | <b>CMAS0381523254</b> | 0,66   | 1.46 |
|          |                   |                       |                       |       |                          |       |            | 1 ¼    | <b>CMAS0281523317</b>     | <b>CMAS0381523317</b> | 0,66   | 1.46 |
|          |                   |                       |                       |       |                          |       |            | 1 ⅜    | <b>CMAS0281523349</b>     | <b>CMAS0381523349</b> | 0,65   | 1.44 |
|          |                   |                       |                       |       |                          |       |            | 1 ⅞    | <b>CMAS0281523365</b>     | <b>CMAS0381523365</b> | 0,64   | 1.41 |
| 25       | 153,20            | 6.031                 | 154,20                | 6.071 | 80,20                    | 3.157 | 25         |        | <b>CMAS028152525</b>      | <b>CMAS038152525</b>  | 0,82   | 1.80 |
|          |                   |                       |                       |       |                          |       | 30         |        | <b>CMAS028152530</b>      | <b>CMAS038152530</b>  | 0,81   | 1.77 |
|          |                   |                       |                       |       |                          |       | 35         |        | <b>CMAS028152535</b>      | <b>CMAS038152535</b>  | 0,79   | 1.75 |
|          |                   |                       |                       |       |                          |       | 40         |        | <b>CMAS028152540</b>      | <b>CMAS038152540</b>  | 0,78   | 1.71 |
|          |                   |                       |                       |       |                          |       |            | 1      | <b>CMAS0281525254</b>     | <b>CMAS0381525254</b> | 0,82   | 1.80 |
|          |                   |                       |                       |       |                          |       |            | 1 ¼    | <b>CMAS0281525317</b>     | <b>CMAS0381525317</b> | 0,82   | 1.80 |
|          |                   |                       |                       |       |                          |       |            | 1 ⅜    | <b>CMAS0281525349</b>     | <b>CMAS0381525349</b> | 0,81   | 1.77 |
|          |                   |                       |                       |       |                          |       |            | 1 ⅞    | <b>CMAS0281525365</b>     | <b>CMAS0381525365</b> | 0,79   | 1.75 |
| 27       | 165,21            | 6.504                 | 166,40                | 6.551 | 86,20                    | 3.394 | 25         |        | <b>CMAS028152725</b>      | <b>CMAS038152725</b>  | 1,01   | 2.22 |
|          |                   |                       |                       |       |                          |       | 30         |        | <b>CMAS028152730</b>      | <b>CMAS038152730</b>  | 1,00   | 2.20 |
|          |                   |                       |                       |       |                          |       | 35         |        | <b>CMAS028152735</b>      | <b>CMAS038152735</b>  | 0,98   | 2.17 |
|          |                   |                       |                       |       |                          |       | 40         |        | <b>CMAS028152740</b>      | <b>CMAS038152740</b>  | 0,97   | 2.14 |
|          |                   |                       |                       |       |                          |       |            | 1      | <b>CMAS0281527254</b>     | <b>CMAS0381527254</b> | 1,00   | 2.20 |
|          |                   |                       |                       |       |                          |       |            | 1 ¼    | <b>CMAS0281527317</b>     | <b>CMAS0381527317</b> | 0,98   | 2.16 |
|          |                   |                       |                       |       |                          |       |            | 1 ⅜    | <b>CMAS0281527349</b>     | <b>CMAS0381527349</b> | 0,98   | 2.16 |
|          |                   |                       |                       |       |                          |       |            | 1 ⅞    | <b>CMAS0281527365</b>     | <b>CMAS0381527365</b> | 0,97   | 2.14 |
|          | 1 1/2             | <b>CMAS0281527381</b> | <b>CMAS0381527381</b> | 0,97  | 2.14                     |       |            |        |                           |                       |        |      |

\*Diameter is indicated.

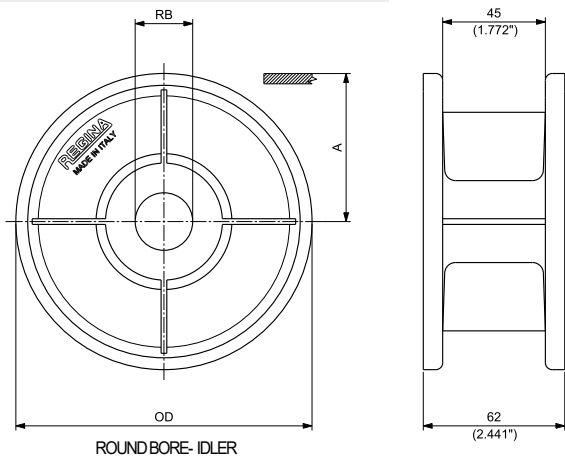
\*\* Imperial round bore drive sprockets are supplied with setscrew. Metric round bore drive sprockets are supplied without setscrew.

### SUITABLE FOR CHAINS:

- 915 / PHD915
- PHDG915
- 881
- 981 / 981M / PHD981M
- PHDG981M
- 820
- HFX820
- 831
- 828
- 880 / 880M RG
- 879

### MATERIALS

SPROCKETS: **PGF** REINFORCEDPOLYAMIDE



### MOULDED SOLID IDLER WHEELS

| N. TEETH | OUTSIDE DIAMETER OD |       | WEARSTRIP POSITIONING A |       | BORESIZE* |      | PART NUMBER<br>ROUND BORE<br>RB<br>IDLER | WEIGHT |      |
|----------|---------------------|-------|-------------------------|-------|-----------|------|--|--------|------|
|          | mm                  | inch  | mm                      | inch  | mm        | inch |  | Kg     | lbs  |
| 21       | 129,80              | 5.110 | 64,90                   | 2.555 | 25        |      | CMT032502101                             | 0,22   | 0.48 |
|          |                     |       |                         |       | 30        |      | CMT032502102                             | 0,22   | 0.49 |
|          |                     |       |                         |       | 35        |      | CMT032502103                             | 0,22   | 0.49 |
|          |                     |       |                         |       | 40        |      | CMT032502104                             | 0,20   | 0.44 |
|          |                     |       |                         |       | 1         |      | CMT032502106                             | 0,22   | 0.49 |
|          |                     |       |                         |       | 1 ¼       |      | CMT032502108                             | 0,21   | 0.47 |
|          |                     |       |                         |       | 1 ⅜       |      | CMT032502111                             | 0,21   | 0.47 |
|          |                     |       |                         |       | 1 ⅞       |      | CMT032502109                             | 0,20   | 0.44 |
|          |                     |       |                         |       | 1 1/2     |      | CMT032502110                             | 0,22   | 0.49 |
| 23       | 142,30              | 5.602 | 71,15                   | 2.801 | 25        |      | CMT032502301                             | 0,25   | 0.54 |
|          |                     |       |                         |       | 30        |      | CMT032502302                             | 0,25   | 0.55 |
|          |                     |       |                         |       | 35        |      | CMT032502303                             | 0,24   | 0.53 |
|          |                     |       |                         |       | 40        |      | CMT032502304                             | 0,24   | 0.54 |
|          |                     |       |                         |       | 1         |      | CMT032502306                             | 0,24   | 0.54 |
|          |                     |       |                         |       | 1 ¼       |      | CMT032502308                             | 0,24   | 0.53 |
|          |                     |       |                         |       | 1 ⅜       |      | CMT032502311                             | 0,24   | 0.53 |
|          |                     |       |                         |       | 1 ⅞       |      | CMT032502309                             | 0,24   | 0.53 |
|          |                     |       |                         |       | 1 1/2     |      | CMT032502310                             | 0,25   | 0.55 |
| 25       | 154,70              | 6.091 | 77,35                   | 3.045 | 25        |      | CMT032502501                             | 0,30   | 0.65 |
|          |                     |       |                         |       | 30        |      | CMT032502502                             | 0,30   | 0.66 |
|          |                     |       |                         |       | 35        |      | CMT032502503                             | 0,29   | 0.64 |
|          |                     |       |                         |       | 40        |      | CMT032502504                             | 0,28   | 0.62 |
|          |                     |       |                         |       | 1         |      | CMT032502506                             | 0,30   | 0.65 |
|          |                     |       |                         |       | 1 ¼       |      | CMT032502508                             | 0,29   | 0.64 |
|          |                     |       |                         |       | 1 ⅜       |      | CMT032502511                             | 0,29   | 0.64 |
|          |                     |       |                         |       | 1 ⅞       |      | CMT032502509                             | 0,29   | 0.64 |
|          |                     |       |                         |       | 1 1/2     |      | CMT032502510                             | 0,28   | 0.61 |

\*Diameter is indicated.

### SUITABLE FOR CHAINS:

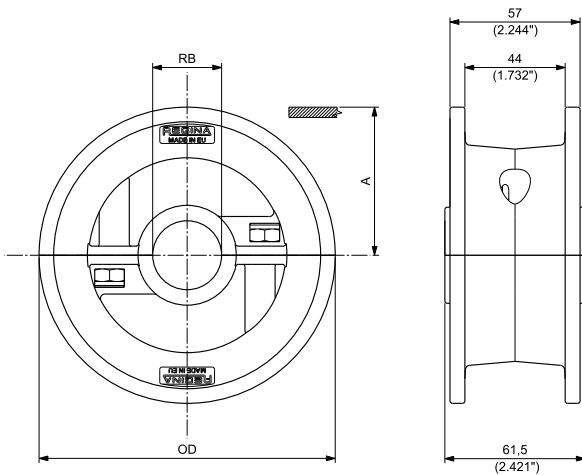
- 915 / PHD915
- PHDG915
- 881
- 981 / 981M / PHD981M
- PHDG981M
- 820
- HFX820
- 831
- 828
- 880 / 880M RG

### MATERIALS

SPROCKETS: **PGF** REINFORCEDPOLYAMIDE

SCREWS: **SS** STAINLESS STEEL

NUTS: **S+ZN** ZINC PLATED STEEL



ROUND BORE- IDLER



### MOULDED SPLIT IDLERWHEELS

| N. TEETH | OUTSIDE DIAMETER OD |       | WEAR STRIP POSITIONING A |       | BORE SIZE* |      | PART NUMBER ROUND BORE RB IDLER | WEIGHT |      |
|----------|---------------------|-------|--------------------------|-------|------------|------|---------------------------------|--------|------|
|          | mm                  | inch  | mm                       | inch  | mm         | inch |                                 | Kg     | lbs  |
| 21       | 129,80              | 5.110 | 64,90                    | 2.555 | 25         |      | CMTS048152125                   | 0,33   | 0.72 |
|          |                     |       |                          |       | 30         |      | CMTS048152130                   | 0,33   | 0.73 |
|          |                     |       |                          |       | 35         |      | CMTS048152135                   | 0,31   | 0.68 |
|          |                     |       |                          |       | 40         |      | CMTS048152140                   | 0,34   | 0.76 |
|          |                     |       |                          |       | 45         |      | CMTS048152145                   | 0,31   | 0.69 |
|          |                     |       |                          |       | 1          |      | CMTS0481521254                  | 0,33   | 0.72 |
|          |                     |       |                          |       | 1 ¼        |      | CMTS0481521317                  | 0,32   | 0.71 |
| 23       | 142,30              | 5.602 | 71,15                    | 2.801 | 25         |      | CMTS048152325                   | 0,36   | 0.80 |
|          |                     |       |                          |       | 30         |      | CMTS048152330                   | 0,37   | 0.81 |
|          |                     |       |                          |       | 35         |      | CMTS048152335                   | 0,35   | 0.76 |
|          |                     |       |                          |       | 40         |      | CMTS048152340                   | 0,38   | 0.84 |
|          |                     |       |                          |       | 45         |      | CMTS048152345                   | 0,35   | 0.77 |
|          |                     |       |                          |       | 1          |      | CMTS0481523254                  | 0,36   | 0.80 |
|          |                     |       |                          |       | 1 ¼        |      | CMTS0481523317                  | 0,36   | 0.79 |
| 25       | 154,70              | 6.091 | 77,35                    | 3.045 | 25         |      | CMTS048152525                   | 0,40   | 0.89 |
|          |                     |       |                          |       | 30         |      | CMTS048152530                   | 0,41   | 0.90 |
|          |                     |       |                          |       | 35         |      | CMTS048152535                   | 0,39   | 0.85 |
|          |                     |       |                          |       | 40         |      | CMTS048152540                   | 0,42   | 0.92 |
|          |                     |       |                          |       | 45         |      | CMTS048152545                   | 0,39   | 0.86 |
|          |                     |       |                          |       | 1          |      | CMTS0481525254                  | 0,40   | 0.89 |
|          |                     |       |                          |       | 1 ¼        |      | CMTS0481525317                  | 0,40   | 0.88 |

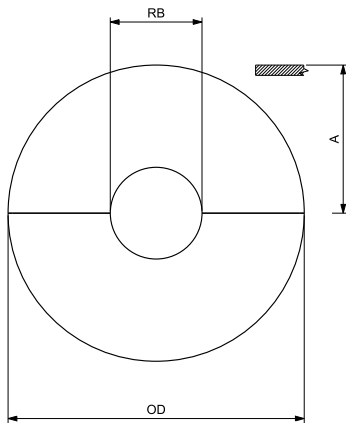
\*Diameter is indicated.

### SUITABLE FOR CHAINS:

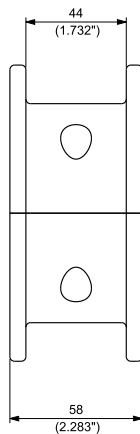
- 915 / PHD915
- PHDG915
- 881
- 981 / 981M / PHD981M
- PHDG981M
- 820
- HFX 820
- 831
- 828
- 880 / 880M RG
- 879

| MATERIALS  |                           |
|------------|---------------------------|
| SPROCKETS: | <b>PA</b> POLYAMIDE       |
| SCREWS:    | <b>SS</b> STAINLESS STEEL |
| NUTS:      | <b>B</b> BRASS            |

### 17T & 19T IDLERWHEELS (for 21T, 23T & 25T seenext page)



ROUND BORE- IDLER



### MACHINED SPLIT IDLERWHEELS

| N. TEETH | OUTSIDE DIAMETER OD |                | WEAR STRIP POSITIONING A |       | BORESIZE* |                | PART NUMBER<br>ROUND BORE<br>RB<br>IDLER | WEIGHT |      |
|----------|---------------------|----------------|--------------------------|-------|-----------|----------------|--|--------|------|
|          | mm                  | inch           | mm                       | inch  | mm        | inch           |  | Kg     | lbs  |
| 17       | 106,50              | 4.193          | 53,25                    | 2.096 | 25        |                | CMAS048151725                            | 0,34   | 0.76 |
|          |                     |                |                          |       | 30        |                | CMAS048151730                            | 0,33   | 0.73 |
|          |                     |                |                          |       | 35        |                | CMAS048151735                            | 0,31   | 0.69 |
|          |                     |                |                          |       | 40        |                | CMAS048151740                            | 0,29   | 0.65 |
|          |                     |                |                          |       | 1         |                | CMAS0481517254                           | 0,34   | 0.76 |
|          |                     |                |                          |       | 1 ¼       |                | CMAS0481517317                           | 0,32   | 0.71 |
|          |                     |                |                          |       | 1 ⅜       |                | CMAS0481517349                           | 0,32   | 0.71 |
|          |                     |                |                          |       | 1 ⅞       |                | CMAS0481517365                           | 0,31   | 0.69 |
| 19       | 118,00              | 4.646          | 59,00                    | 2.323 | 1 1/2     |                | CMAS0481517381                           | 0,30   | 0.66 |
|          |                     |                |                          |       | 25        |                | CMAS048151925                            | 0,45   | 1.00 |
|          |                     |                |                          |       | 30        |                | CMAS048151930                            | 0,44   | 0.97 |
|          |                     |                |                          |       | 35        |                | CMAS048151935                            | 0,42   | 0.93 |
|          |                     |                |                          |       | 40        |                | CMAS048151940                            | 0,40   | 0.89 |
|          |                     |                |                          |       | 1         |                | CMAS0481519254                           | 0,45   | 1.00 |
|          |                     |                |                          |       | 1 ¼       |                | CMAS0481519317                           | 0,42   | 0.92 |
|          |                     |                |                          |       | 1 ⅜       |                | CMAS0481519349                           | 0,42   | 0.92 |
| 1 ⅞      |                     | CMAS0481519365 | 0,40                     | 0.89  |           |                |  |        |      |
|          |                     |                |                          | 1 1/2 |           | CMAS0481519381 | 0,38                                     | 0.84   |      |

\*Diameter isindicated.

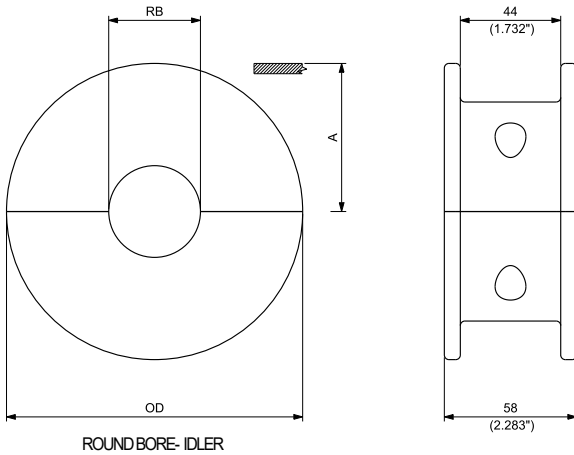
### SUITABLE FOR CHAINS:

- 915 / PHD915
- PHDG915
- 881 / 981 / 981M / PHD981M
- PHDG981M
- 820 / HFX820
- 831
- 828
- 880 / 880M RG
- 879

### MATERIALS

|            |           |                 |
|------------|-----------|-----------------|
| SPROCKETS: | <b>PA</b> | POLYAMIDE       |
| SCREWS:    | <b>SS</b> | STAINLESS STEEL |
| NUTS:      | <b>B</b>  | BRASS           |

### 21T, 23T & 25T IDLERWHEELS (for 17T & 19T see previous page)



### MACHINED SPLIT IDLERWHEELS

| N. TEETH | OUTSIDE DIAMETER OD |       | WEAR STRIP POSITIONING A |       | BORESIZE* |                | PART NUMBER<br>ROUND BORE<br>RB<br>IDLER | WEIGHT |      |
|----------|---------------------|-------|--------------------------|-------|-----------|----------------|--|--------|------|
|          | mm                  | inch  | mm                       | inch  | mm        | inch           |  | Kg     | lbs  |
| 21       | 129,80              | 5.110 | 64,90                    | 2.555 | 25        |                | CMAS048152125                            | 0,58   | 1.27 |
|          |                     |       |                          |       | 30        |                | CMAS048152130                            | 0,56   | 1.24 |
|          |                     |       |                          |       | 35        |                | CMAS048152135                            | 0,54   | 1.20 |
|          |                     |       |                          |       | 40        |                | CMAS048152140                            | 0,52   | 1.15 |
|          |                     |       |                          |       | 1         |                | CMAS0481521254                           | 0,58   | 1.27 |
|          |                     |       |                          |       | 1 ¼       |                | CMAS0481521317                           | 0,56   | 1.24 |
|          |                     |       |                          |       | 1 ⅞       |                | CMAS0481521365                           | 0,54   | 1.20 |
| 23       | 142,30              | 5.602 | 71,15                    | 2.801 | 25        |                | CMAS048152325                            | 0,72   | 1.58 |
|          |                     |       |                          |       | 30        |                | CMAS048152330                            | 0,70   | 1.55 |
|          |                     |       |                          |       | 35        |                | CMAS048152335                            | 0,69   | 1.51 |
|          |                     |       |                          |       | 40        |                | CMAS048152340                            | 0,67   | 1.47 |
|          |                     |       |                          |       | 1         |                | CMAS0481523254                           | 0,72   | 1.58 |
|          |                     |       |                          |       | 1 ¼       |                | CMAS0481523317                           | 0,70   | 1.55 |
|          |                     |       |                          |       | 1 ⅞       |                | CMAS0481523365                           | 0,69   | 1.51 |
| 25       | 154,70              | 6.091 | 77,35                    | 3.045 | 25        |                | CMAS048152525                            | 0,87   | 1.92 |
|          |                     |       |                          |       | 30        |                | CMAS048152530                            | 0,85   | 1.88 |
|          |                     |       |                          |       | 35        |                | CMAS048152535                            | 0,84   | 1.85 |
|          |                     |       |                          |       | 40        |                | CMAS048152540                            | 0,82   | 1.80 |
|          |                     |       |                          |       | 1         |                | CMAS0481525254                           | 0,87   | 1.91 |
|          |                     |       |                          |       | 1 ¼       |                | CMAS0481525317                           | 0,85   | 1.88 |
|          |                     |       |                          |       | 1 ⅞       |                | CMAS0481525365                           | 0,84   | 1.85 |
|          |                     |       |                          | 1 1/2 |           | CMAS0481525381 | 0,83                                     | 1.82   |      |

\*Diameter is indicated.