

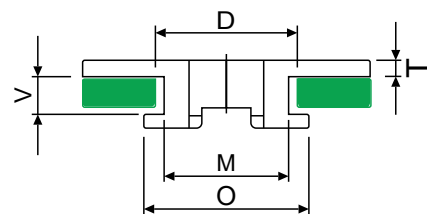
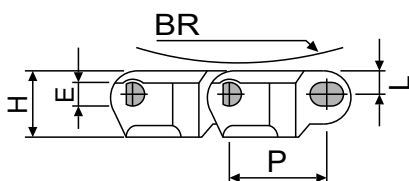
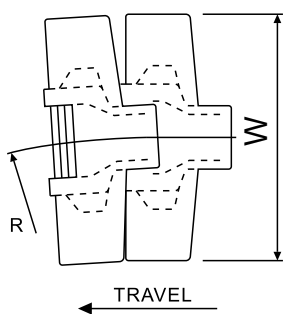
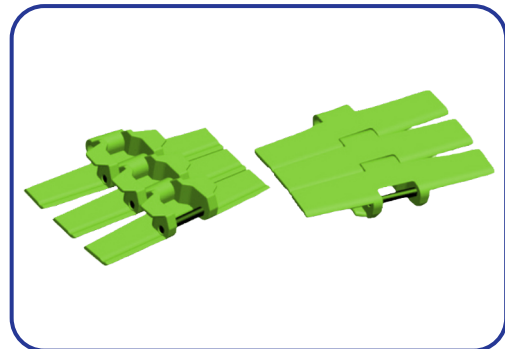
SP-882T SERIES

Plate Materials:

- LFA** - Lubricating Acetal | **ROSELLA GREEN**
- TLX** - PTFE Filled Acetal | **ULTRAMARINE BLUE**
- SU2** - Kevlar Filled Acetal | **ARMY GREEN**

Pin Material: Austenitic Steel

Shipping Lengths: 10 Feet / 3.048 Metres

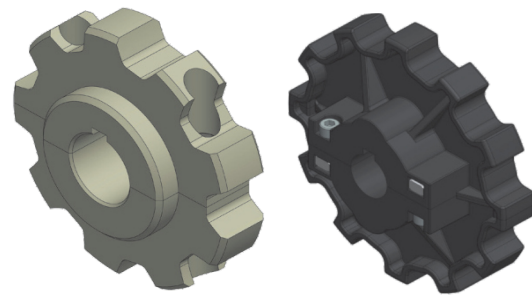
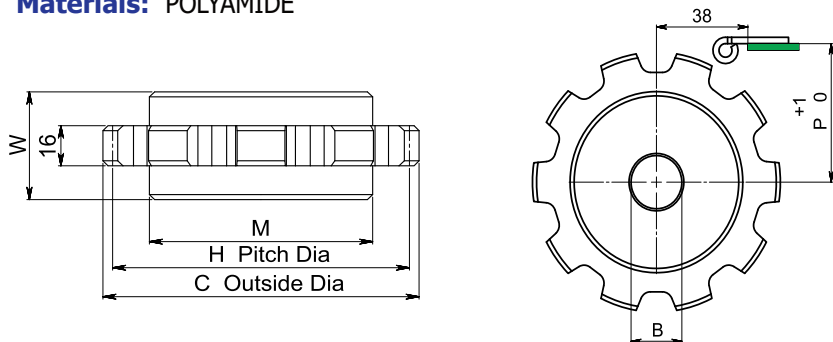


PRODUCT CODE	WIDTH (W)		SIDE RADIUS (R)	BACK FLEX RADIUS (BR)	PITCH (P)	O	L	H	E	T	V	M	D
	(mm)	(Inches)											
SP-882TK600	152.4	6	610	40	38.1	4	6.4	7.9	21.1	37.1	17	57.2	58
SP-882TK750	190.5	7.5											
SP-882TK1000	254	10											
SP-882TK1200	304.8	12											



SP-882T SERIES SPROCKET

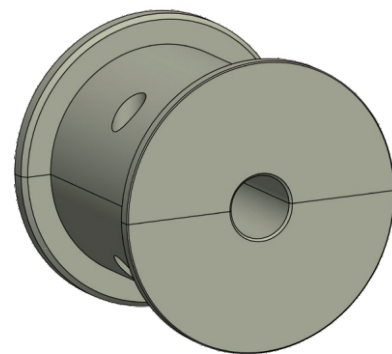
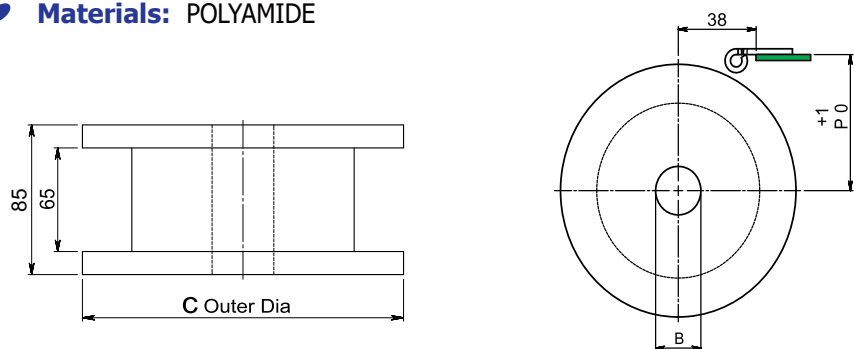
Materials: POLYAMIDE



PRODUCT CODE	TEETH (Z)	C	H	P	M	BORE (B)	WIDTH (W)	MACHINED	MACHINED SPLIT	MOULDED SPLIT
		(mm)	(mm)	(mm)	(mm)		(mm)			
SP-882T9	9	112	111.4	60.5	60	25, 30, 35 & 40 AVAILABLE	42.5 FOR MACHINED SPROCKETS	■	■	
SP-882T10	10	125	123.3	66.4	75		42.5 FOR MACHINED SPROCKETS	■	■	■
SP-882T11	11	137	135.2	72.4	85		56 FOR MOULDED SPROCKETS	■	■	
SP-882T12	12	149.3	147.2	78.4	90		56 FOR MOULDED SPROCKETS	■	■	■

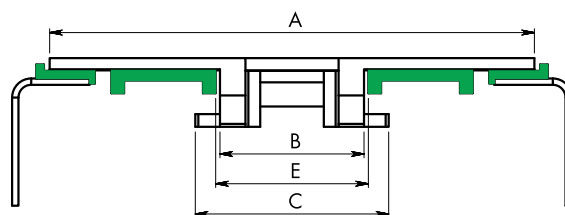
SP-882T SERIES IDLER

Materials: POLYAMIDE



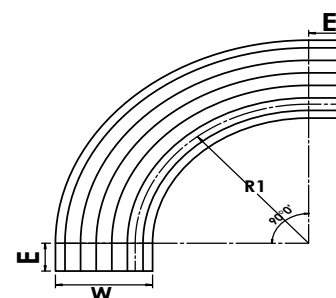
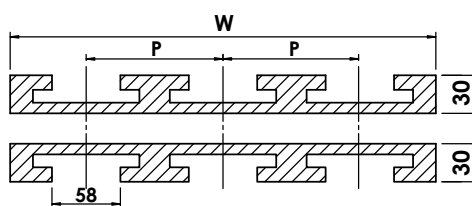
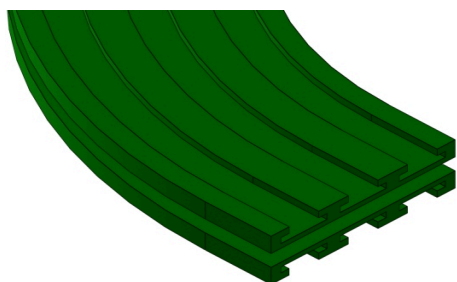
PRODUCT CODE	TEETH (Z)	C	P	BORE (B)	MACHINED	MACHINED SPLIT
		(mm)	(mm)			
SP-882TIT9	9	117	63.8	25, 30, 35 & 40 AVAILABLE	■	■
SP-882TIT10	10	129.8	69.5		■	■
SP-882TIT11	11	142.2	75.9		■	■
SP-882TIT12	12	154.7	82.1		■	■

SP-882T SERIES ACCESSORIES



Chain Positioning for Single Row

CHAIN CODE	A (mm)	B (mm)	C (mm)	E (mm)
SP-882TK600	152.4	57.2	76.2	60
SP-882TK750	190.5			
SP-882TK1000	254			
SP-882TK1200	304.8			



PRODUCT CODE	TRACKS	PITCH (P) (mm)	RADIUS (R1) (mm)	E (mm)	WIDTH (W) (mm)
SP-882TK450C1	1	120	610, 650, 800 & 1000 AVAILABLE	50 & 100 AVAILABLE	130
SP-882TK450C2	2				250
SP-882TK450C3	3				370
SP-882TK450C4	4				490
SP-882TK450C5	5				610
SP-882TK450C6	6				730
SP-882TK750C1	1	195			200
SP-882TK750C2	2				395
SP-882TK750C3	3				590
SP-882TK750C4	4				785
SP-882TK1000C1	1	260			270
SP-882TK1000C2	2				530
SP-882TK1000C3	3		790		
SP-882TK1000C4	4		1050		
SP-882TK1200C1	1	310	320		
SP-882TK1200C2	2		630		
SP-882TK1200C3	3		940		
SP-882TK1200C4	4		1250		