

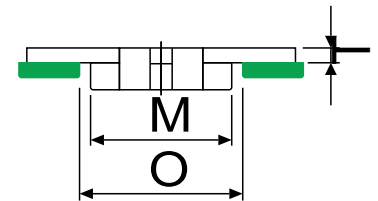
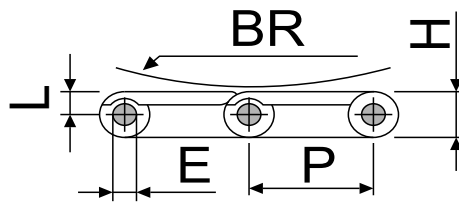
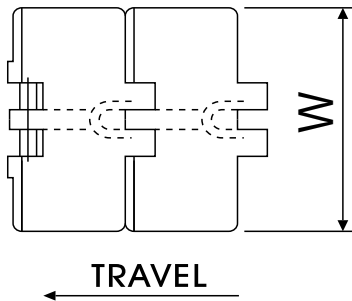
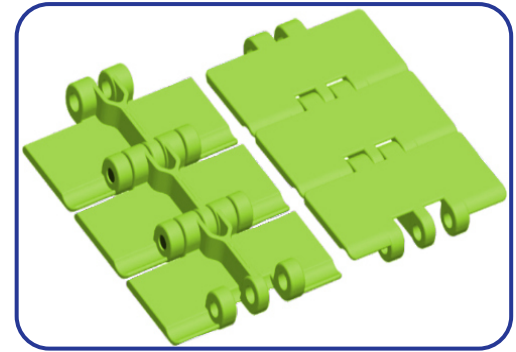
SP-820 SERIES

Plate Materials:

- Lubricating Acetal
- PTFE Filled Acetal
- Aramidic Filled Acetal

Pin Material: Austenitic Steel

Shipping Lengths: 10 Feet / 3.048 Metres

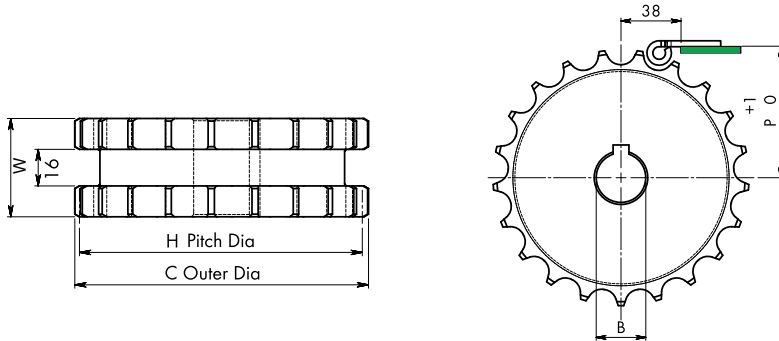
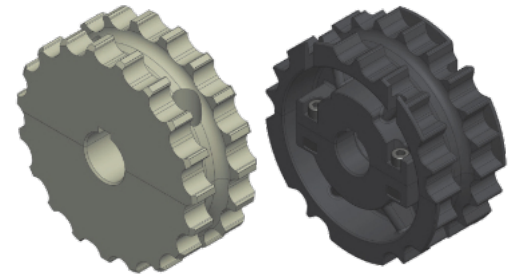


PRODUCT CODE	WIDTH (W)		BACK FLEX RADIUS (BR)	PITCH (P)	M	L	H	E	T	O
	(mm)	(Inches)								
SP-820K250	63.5	2.5	50	38.1	42.1	7.2	13.5	6.35	4	44.5
SP-820K325	82.5	3.25								
SP-820K330	83.8	3.3								
SP-820K350	88.9	3.5								
SP-820K400	101.6	4								
SP-820K450	114.3	4.5								
SP-820K600	152.4	6								
SP-820K750	190.5	7.5								



SP-820 SERIES SPROCKET

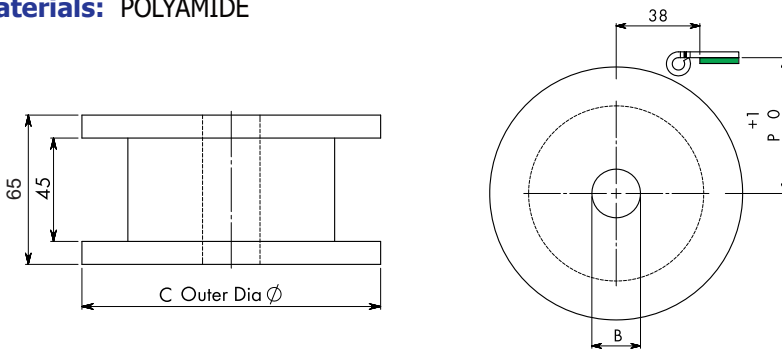
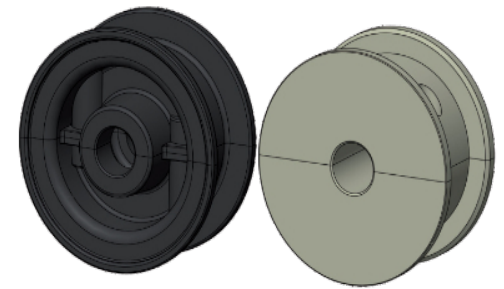
Materials: POLYAMIDE



PRODUCT CODE	TEETH (Z)	C	H	P	BORE (B)	WIDTH (W)	MACHINED	MACHINED SPLIT	MOULDED SPLIT
		(mm)	(mm)	(mm)					
SP-820T17	17	103.9	105.47	55.9	25, 30, 35 & 40 AVAILABLE	43 FOR MACHINED SPROCKETS 53 FOR MOULDED SPROCKETS	■	■	
SP-820T19	19	117	117.34	61.9			■	■	■
SP-820T21	21	129	129.26	67.8			■	■	■
SP-820T23	23	142	141.21	73.8			■	■	
SP-820T25	25	154	153.21	79.8			■	■	■
SP-820T27	27	166.8	165.20	85.8			■	■	
SP-820T29	29	178.5	177.24	91.8			■	■	

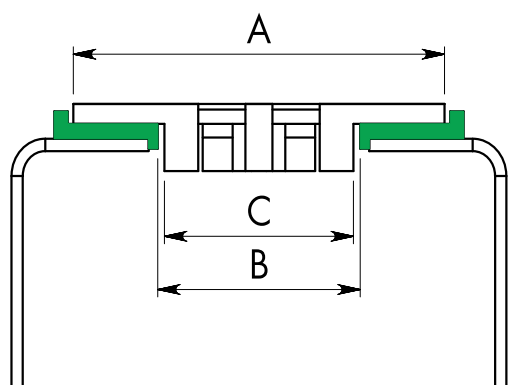
SP-820 SERIES IDLER

Materials: POLYAMIDE

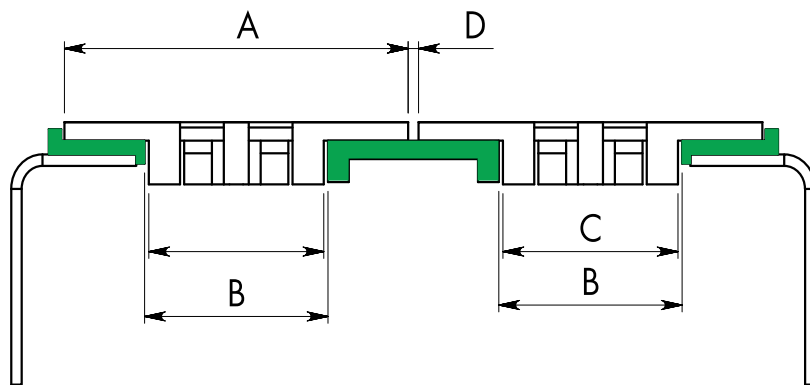


PRODUCT CODE	TEETH (Z)	C	P	BORE (B)	MACHINED	MACHINED SPLIT	MOULDED SPLIT
		(mm)	(mm)				
SP-820IT17	17	104	56.2	25, 30, 35 & 40 AVAILABLE	■	■	
SP-820IT19	19	117	62.6		■	■	■
SP-820IT21	21	129.8	68.6		■	■	■
SP-820IT23	23	142.2	74.6		■	■	
SP-820IT25	25	154.7	80.5		■	■	■
SP-820IT27	27	167.2	86.5		■	■	
SP-820IT29	29	179.3	92.8		■	■	

SP-820 SERIES ACCESSORIES



Chain Positioning for Single Row



Chain Positioning for Multiple Row

CHAIN CODE	A (mm)	B (mm)	C (mm)	D (mm)
SP-820K250	63.5	44.5	42.1	2.5
SP-820K325	82.5			
SP-820K330	83.8			
SP-820K350	88.9			
SP-820K400	101.6			
SP-820K450	114.3			
SP-820K600	152.4			
SP-820K750	190.5			

