

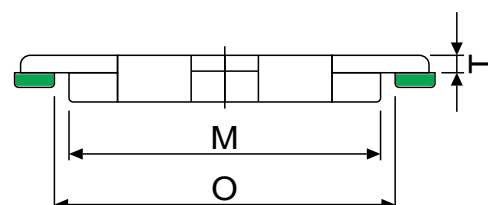
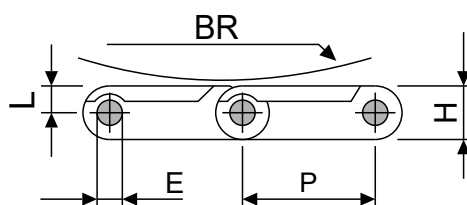
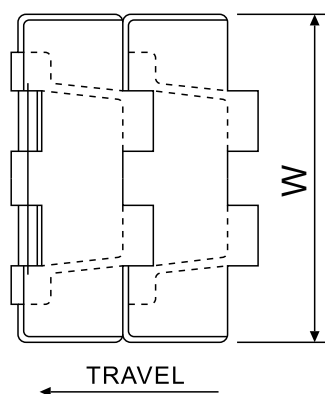
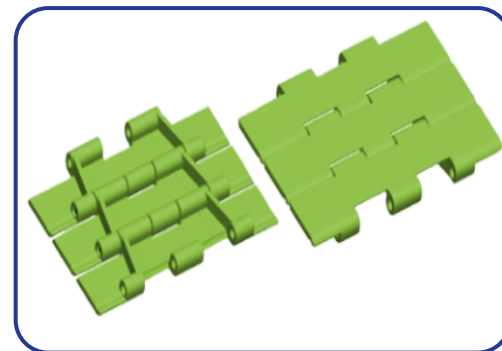
# SP-821 SERIES

**Plate Materials:**

- Lubricating Acetal
- PTFE Filled Acetal
- Aramidic Filled Acetal

**Pin Material:** Austenitic Steel

**Shipping Lengths:** 10 Feet / 3.048 Metres

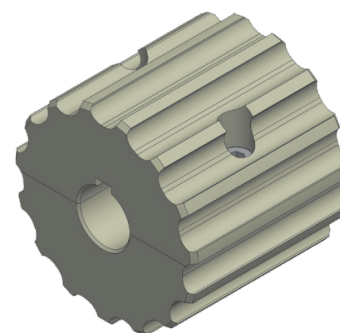
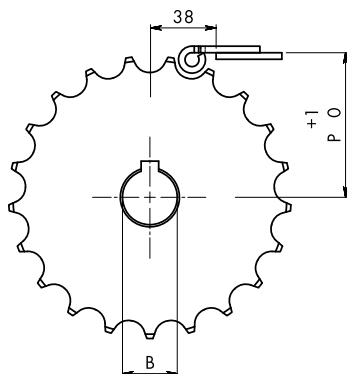
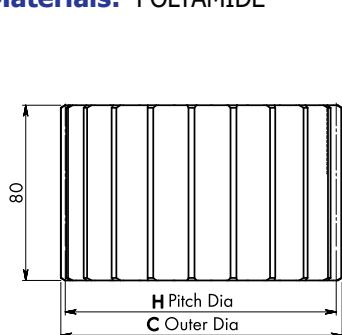


PRODUCT CODE	WIDTH (W)		BACK FLEX RADIUS (BR)	PITCH (P)	M	L	H	E	T	O
	(mm)	(Inches)								
SP-821K750	190.5	7.5	50	38.1	136.5	7.9	14.3	7.9	4.8	140
SP-821K1000	254	10								
SP-821K1200	304.8	12								



# SP-821 SERIES SPROCKET

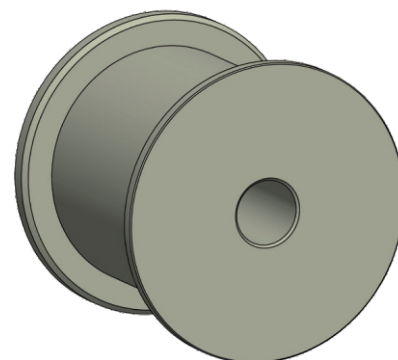
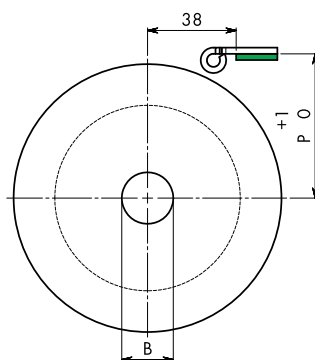
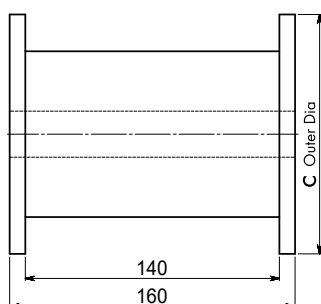
Materials: POLYAMIDE



PRODUCT CODE	TEETH (Z)	C	H	P	BORE (B)	MACHINED	MACHINED SPLIT
		(mm)	(mm)	(mm)	(mm)		
SP-821S19	19	117	117.3	61.9	25, 30, 35 & 40 AVAILABLE	■	
SP-821S21	21	129	129.2	67.8		■	■
SP-821S23	23	142	141.2	73.8		■	■
SP-821S25	25	154	153.2	79.8		■	

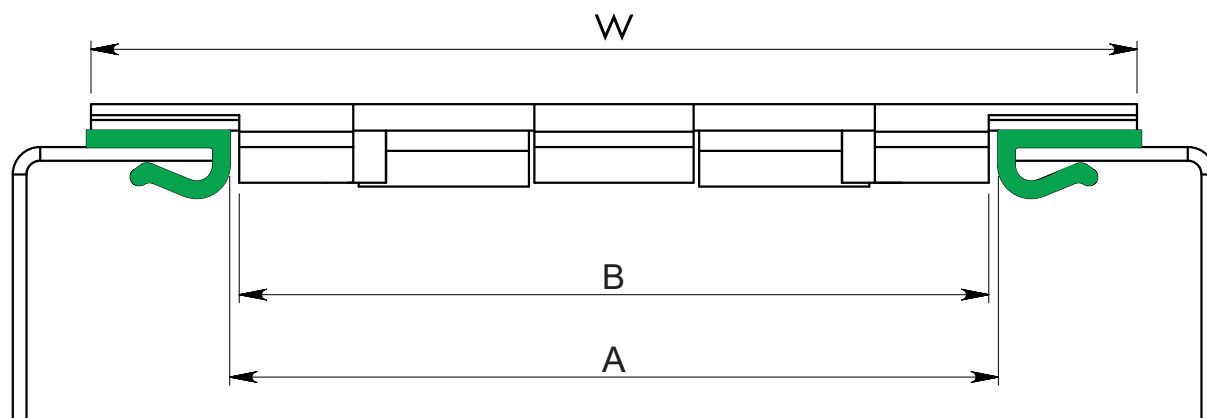
# SP-821 SERIES IDLER

Materials: POLYAMIDE



PRODUCT CODE	TEETH (Z)	C	P	BORE (B)	MACHINED	MACHINED SPLIT
		(mm)	(mm)	(mm)		
SP-821IT19	19	117	62.6	25, 30, 35 & 40 AVAILABLE	■	■
SP-821IT21	21	129.8	68.6		■	■
SP-821IT23	23	142.2	74.6		■	■
SP-821IT25	25	154.7	80.5		■	■

## SP-821 SERIES ACCESSORIES



**Chain Positioning for Single Row**

CHAIN CODE	W	A	B
	(mm)	(mm)	(mm)
<b>SP-821K750</b>	190.5	140	136.5
<b>SP-821K1000</b>	154		
<b>SP-821K1200</b>	304.8		

