

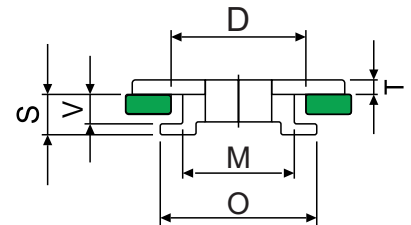
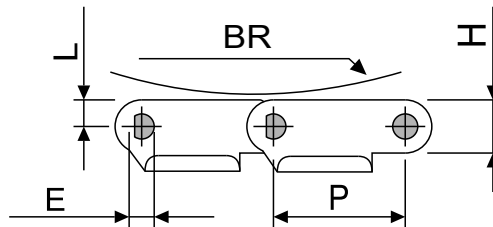
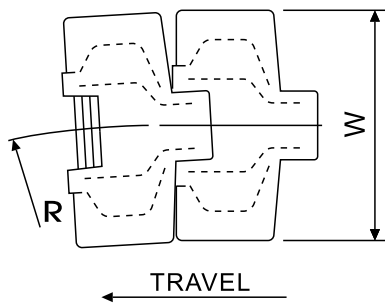
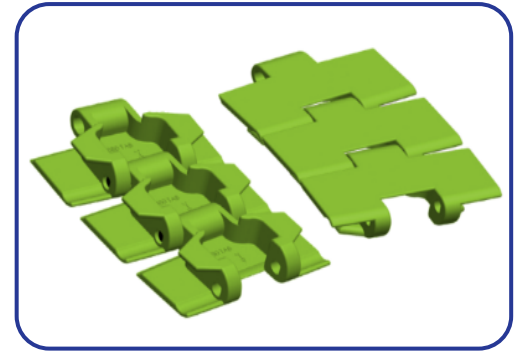
SP-880T SERIES

Plate Materials:

- Lubricating Acetal
- PTFE Filled Acetal
- Aramidic Filled Acetal

Pin Material: Austenitic Steel

Shipping Lengths: 10 Feet / 3.048 Metres

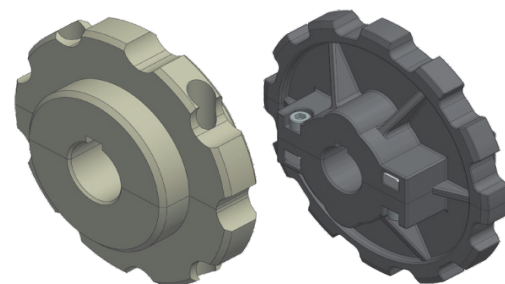
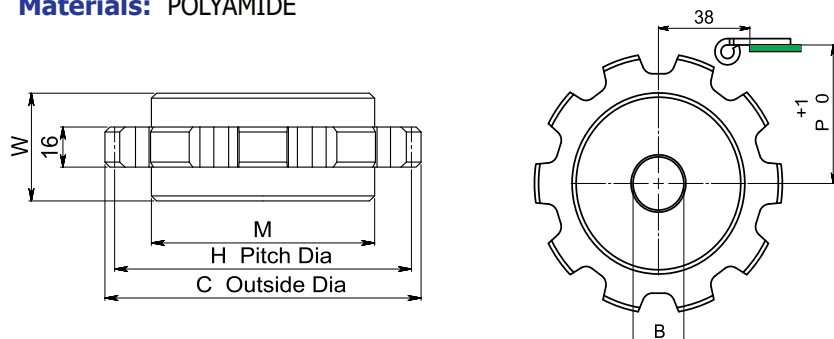


PRODUCT CODE	WIDTH (W)		RADIUS (R)	BACK FLEX RADIUS (BR)	PITCH (P)	O	L	H	E	T	V	S	M	D
	(mm)	(Inches)	(mm)											
SP-880TK325	82.5	3.25	500	40	38.1	61.1	7.6	20	7.1	4	11.5	16	42.9	45
SP-880TK450	114.3	4.5	610											



SP-880T SERIES SPROCKET

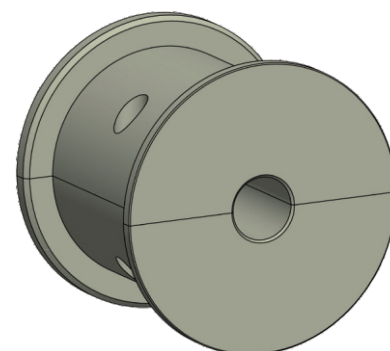
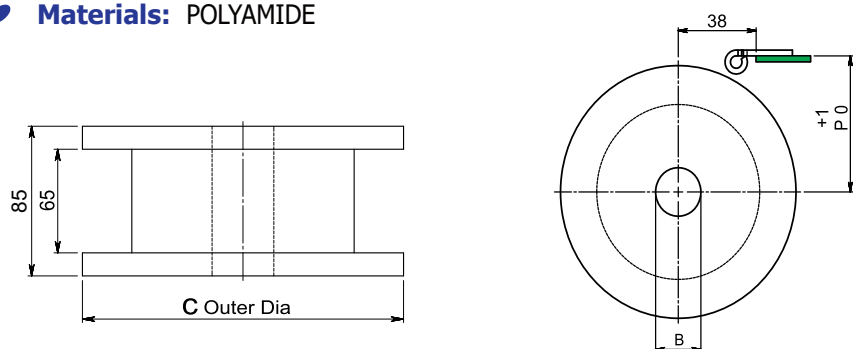
Materials: POLYAMIDE



PRODUCT CODE	TEETH (Z)	C	H	P	M	BORE (B)	WIDTH (W)	MACHINED	MACHINED SPLIT	MOULDED SPLIT
		(mm)	(mm)	(mm)	(mm)					
SP-880T9	9	110	111.4	59.3	76	25, 30 & 35 AVAILABLE	42.5 FOR MACHINED SPROCKETS	■	■	
SP-880T10	10	122	123.3	65.25	88			■	■	■
SP-880T11	11	135	135.2	71.2	92		■	■		
SP-880T12	12	147.3	147.2	77.2	105		■	■	■	

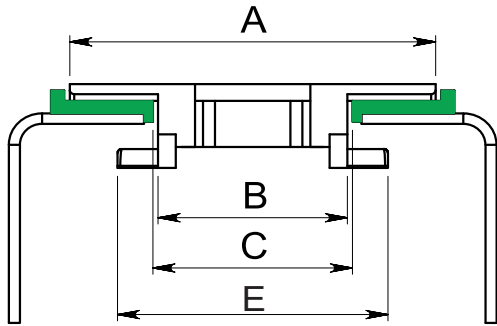
SP-880T SERIES IDLER

Materials: POLYAMIDE

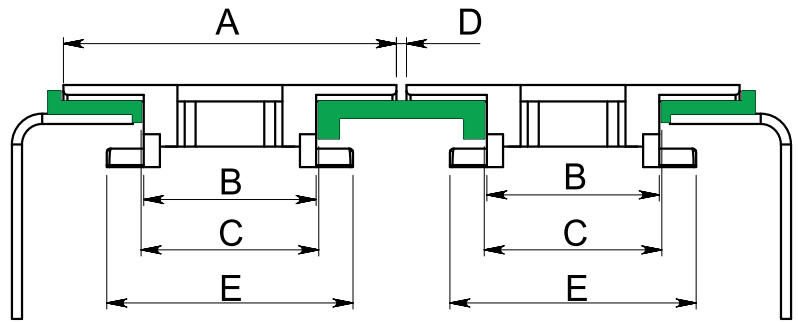


PRODUCT CODE	TEETH (Z)	C	P	BORE (B)	MACHINED	MACHINED SPLIT
		(mm)	(mm)			
SP-880TIT9	9	117	62.6	20, 25, 30 & 35 AVAILABLE	■	
SP-880TIT10	10	129.8	68.6		■	■
SP-880TIT11	11	142.2	74.6		■	■
SP-880TIT12	12	154.7	80.5		■	

SP-880T SERIES ACCESSORIES

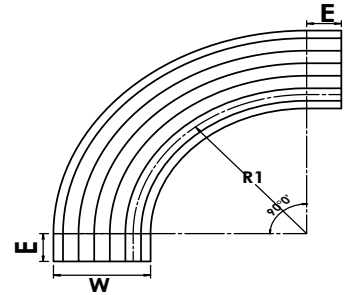
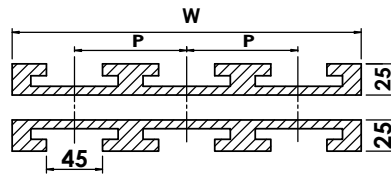
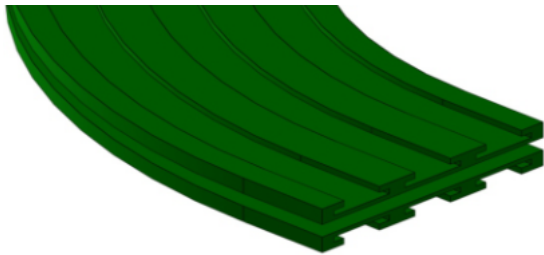


Chain Positioning for Single Row



Chain Positioning for Multiple Row

CHAIN CODE	A	B	C	D	E
	(mm)	(mm)	(mm)	(mm)	(mm)
SP-880TK325	82.5	42.9	46	2.5	61.1
SP-880TK450	114.3				



PRODUCT CODE	TRACKS	PITCH (P)	RADIUS (R1)	E	WIDTH (W)
		(mm)	(mm)	(mm)	(mm)
SP-880TK325C1	1	85	500, 610, 650, 800 & 1000 AVAILABLE	50 & 100 AVAILABLE	100
SP-880TK325C2	2				185
SP-880TK325C3	3				270
SP-880TK325C4	4				355
SP-880TK325C5	5				440
SP-880TK325C6	6				525

PRODUCT CODE	TRACKS	PITCH (P)	RADIUS (R1)	E	WIDTH (W)
		(mm)	(mm)	(mm)	(mm)
SP-880TK450C1	1	120	610, 650, 800 & 1000 AVAILABLE	50 & 100 AVAILABLE	130
SP-880TK450C2	2				250
SP-880TK450C3	3				370
SP-880TK450C4	4				490
SP-880TK450C5	5				610
SP-880TK450C6	6				730